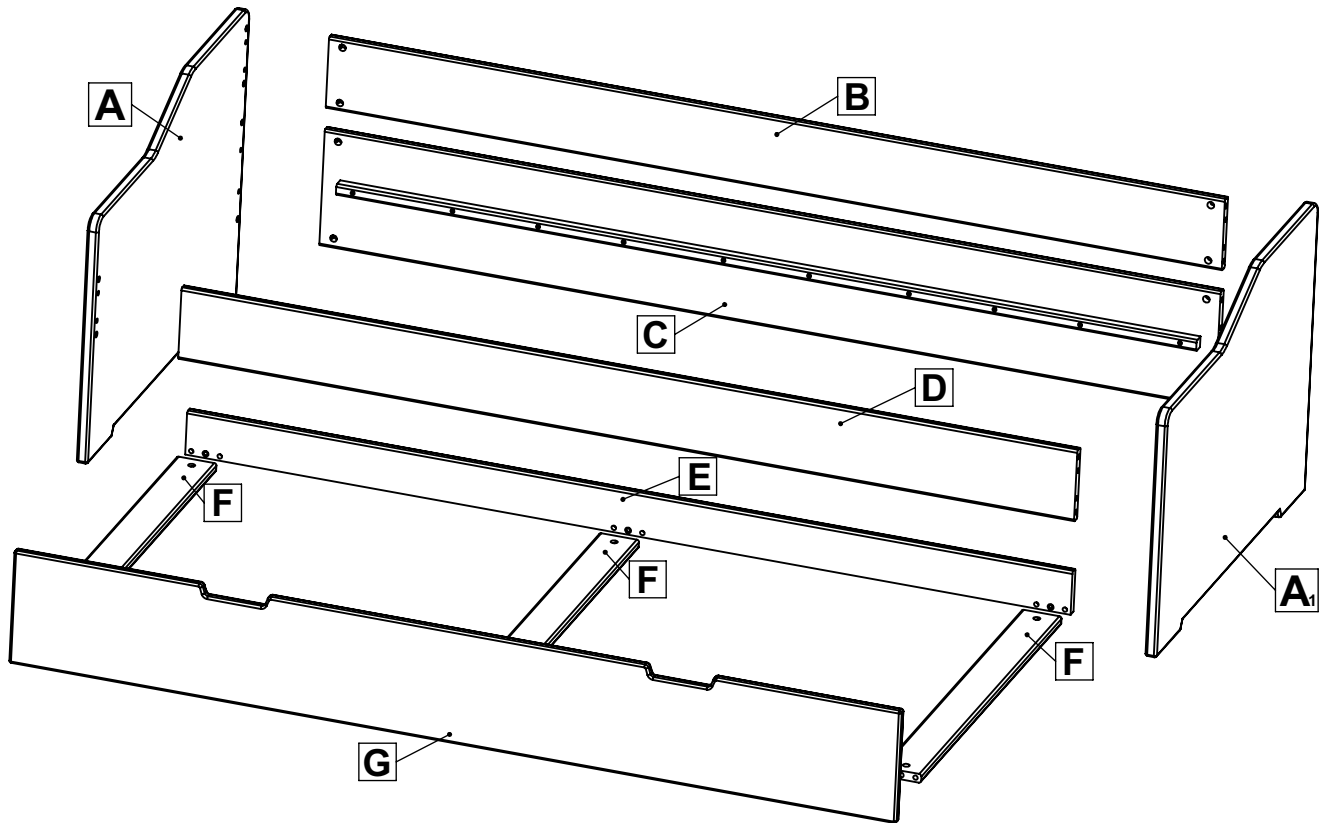


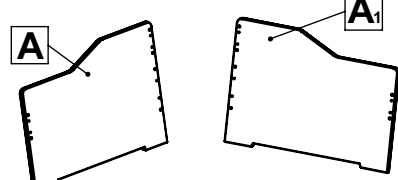
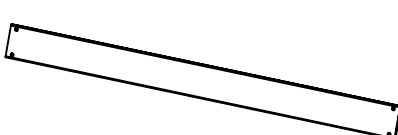

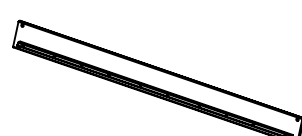
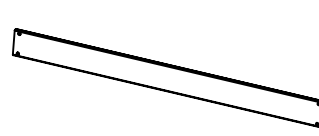
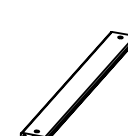
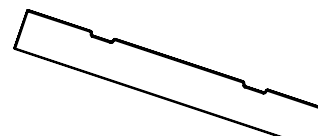
Montageanleitung Assembly instructions

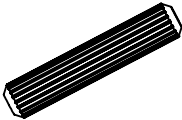


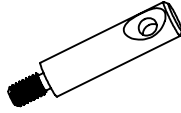

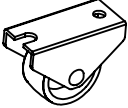

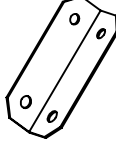
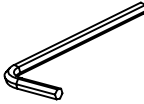


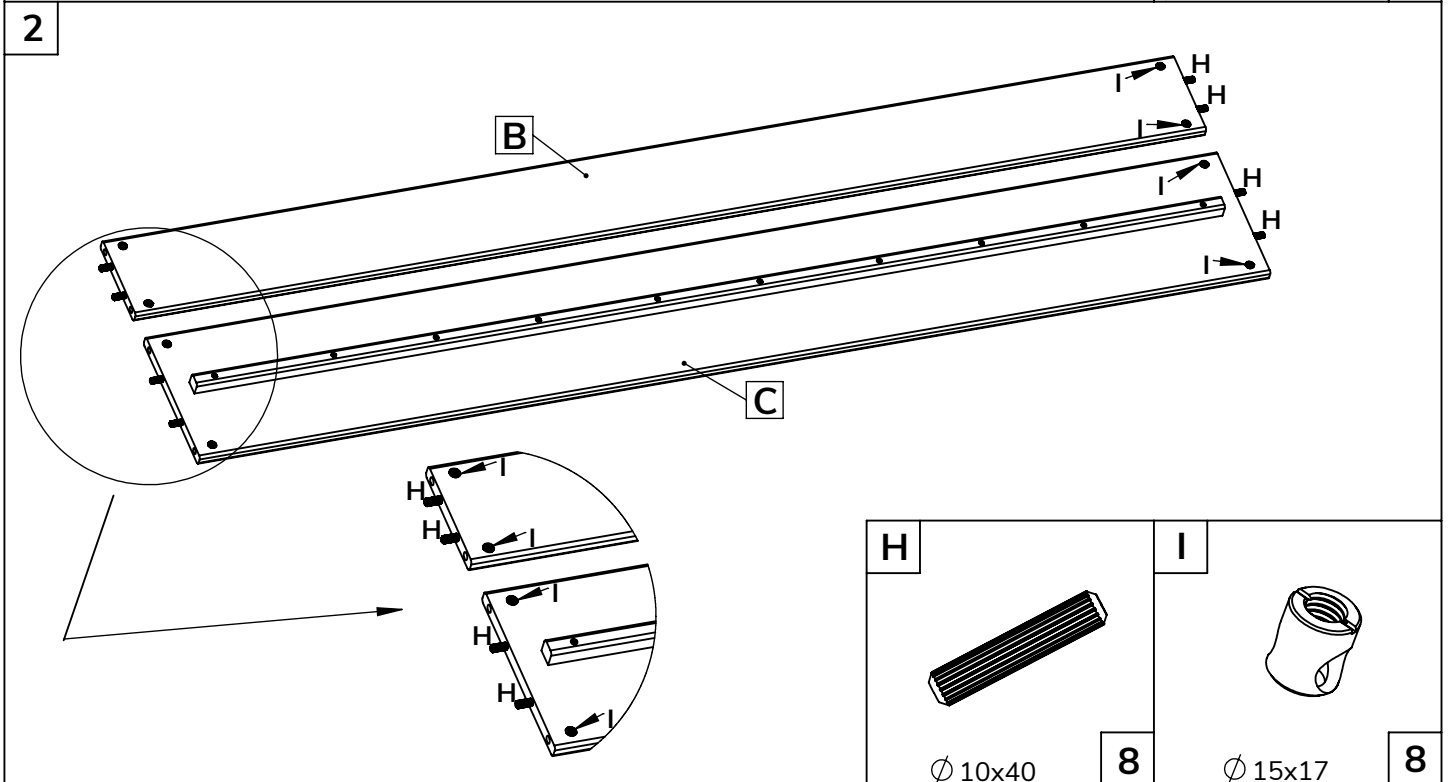
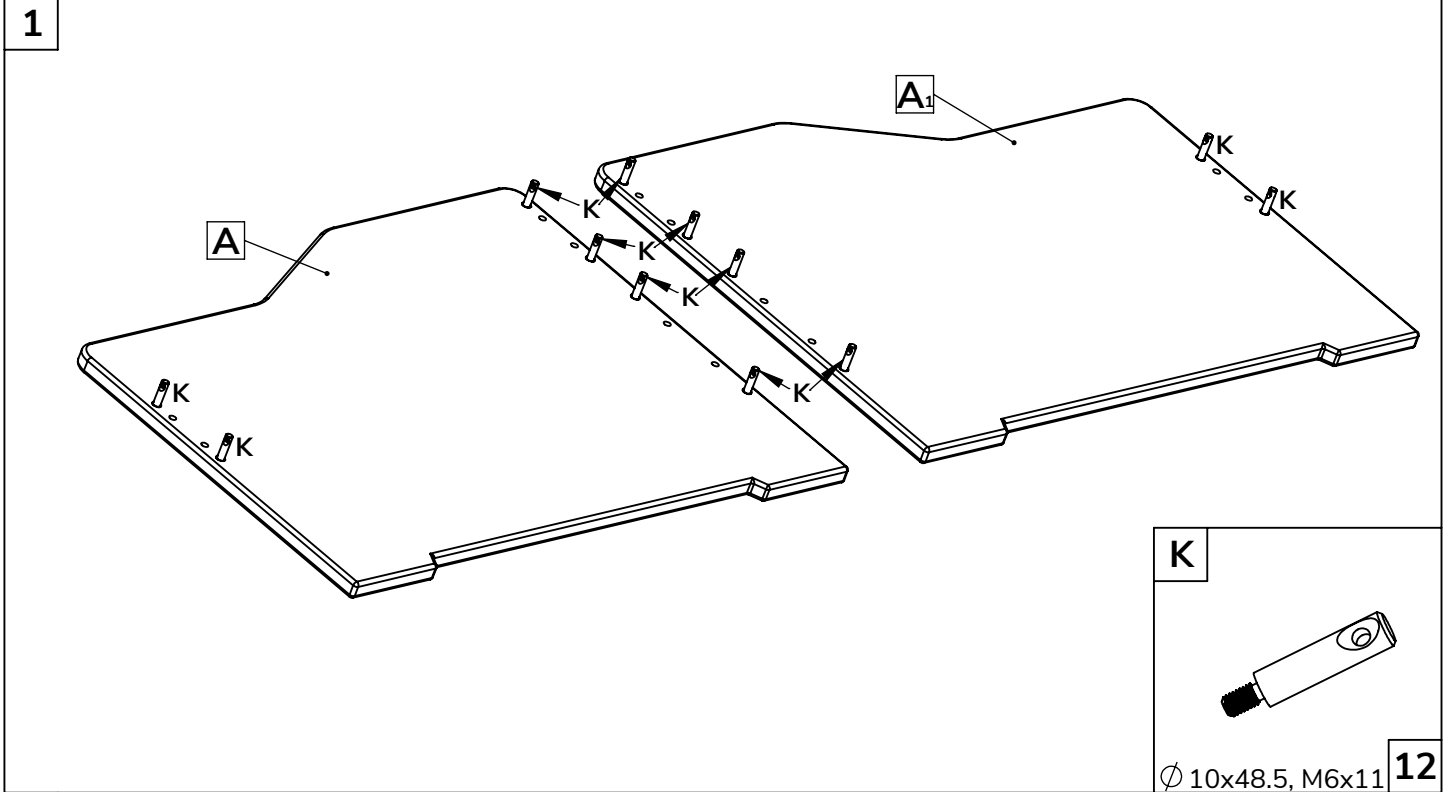
2

30'

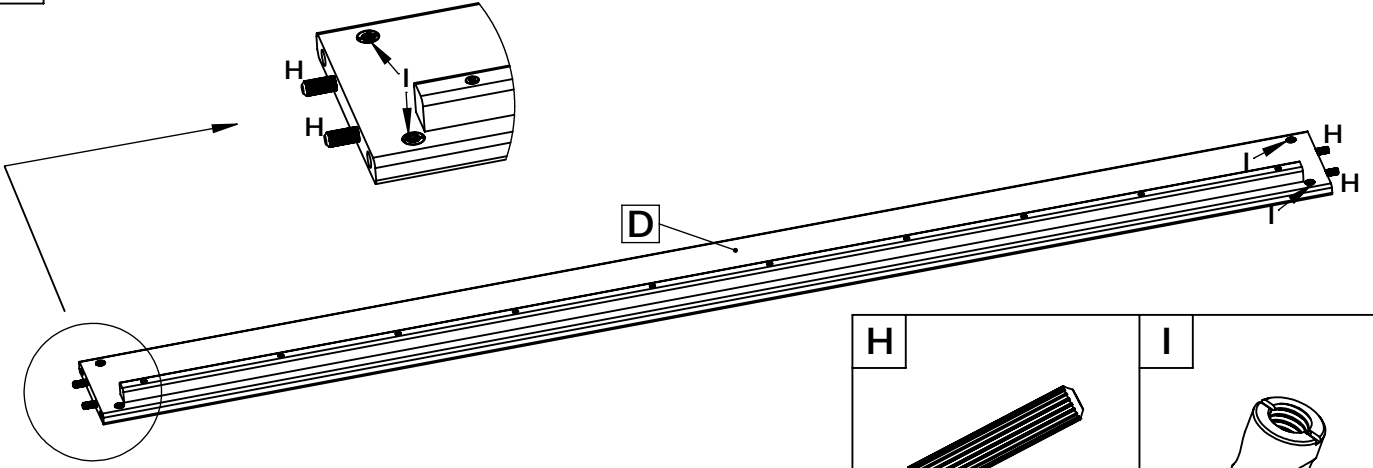


A+A₁  95.9x56.7x2.5 1	B  201x16.5x2 1	C  201x26.9x2 1	
D  201x16.5x2 1	E  198.6x10x2 1	F  90x9x2 3	G  199x26x2 1

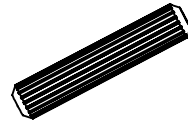
H  $\varnothing 10 \times 40$	I  $\varnothing 15 \times 17$	J  M10x10, ISK5	K  $\varnothing 10 \times 48.5$, M6x11	L  4.0x20
M  KB 30	N  4.0x16	O  66x20x20	P  Sw5	



3



H



Ø 10x40

I

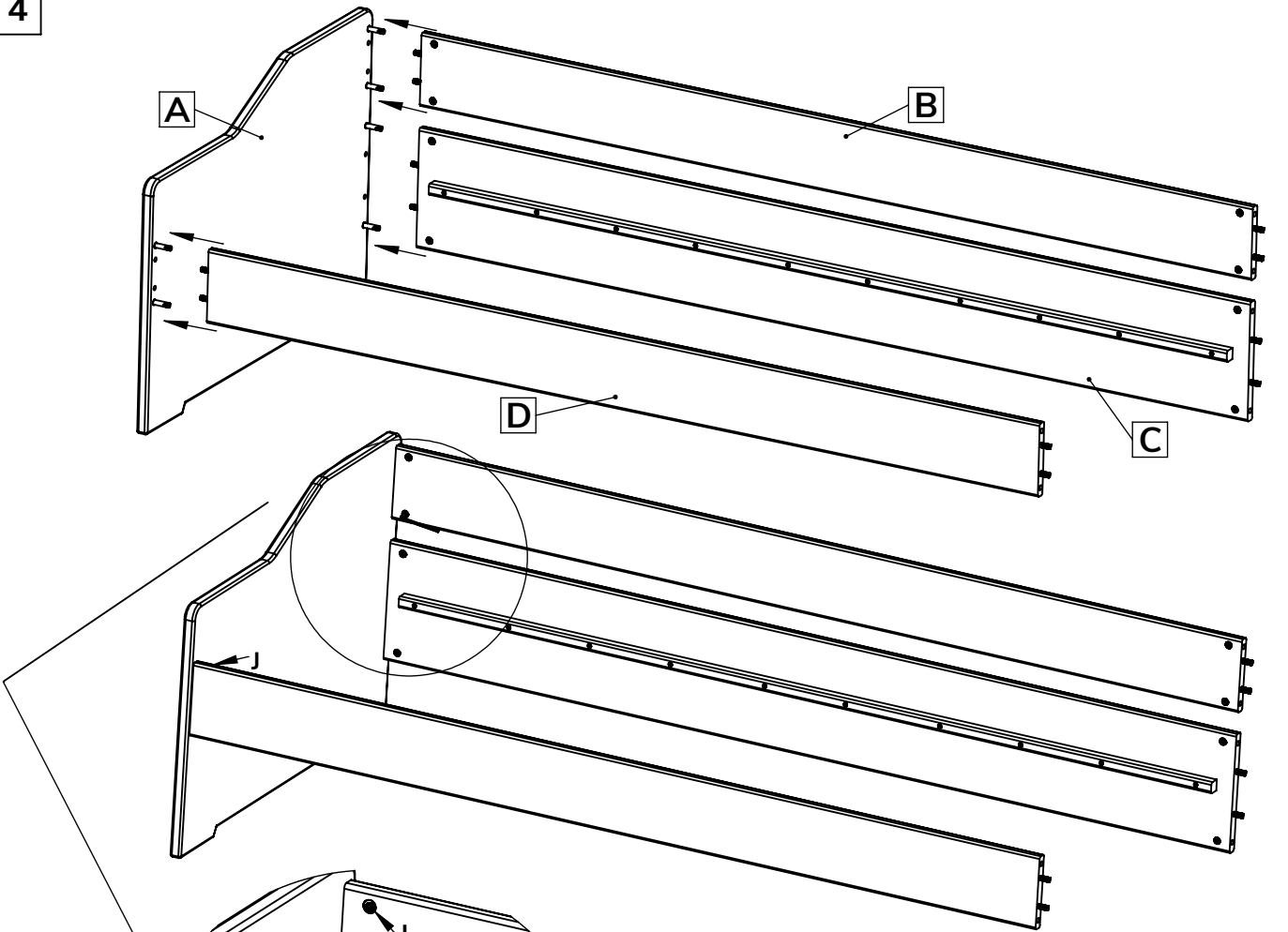


Ø 15x17

4

4

4



A

B

D

C

J

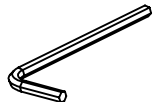
P

J



M10x10, ISK5

P

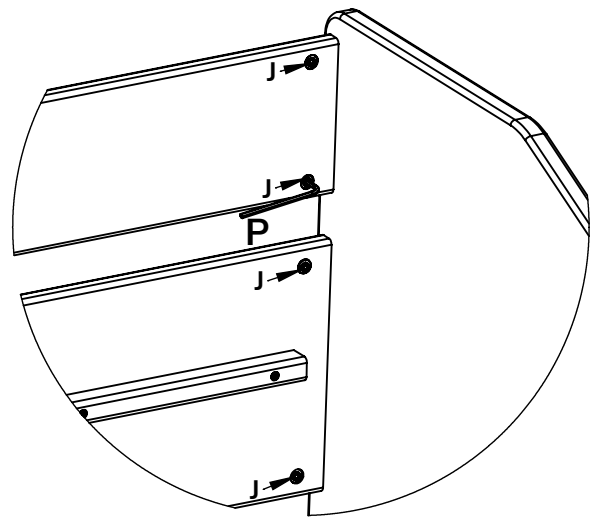
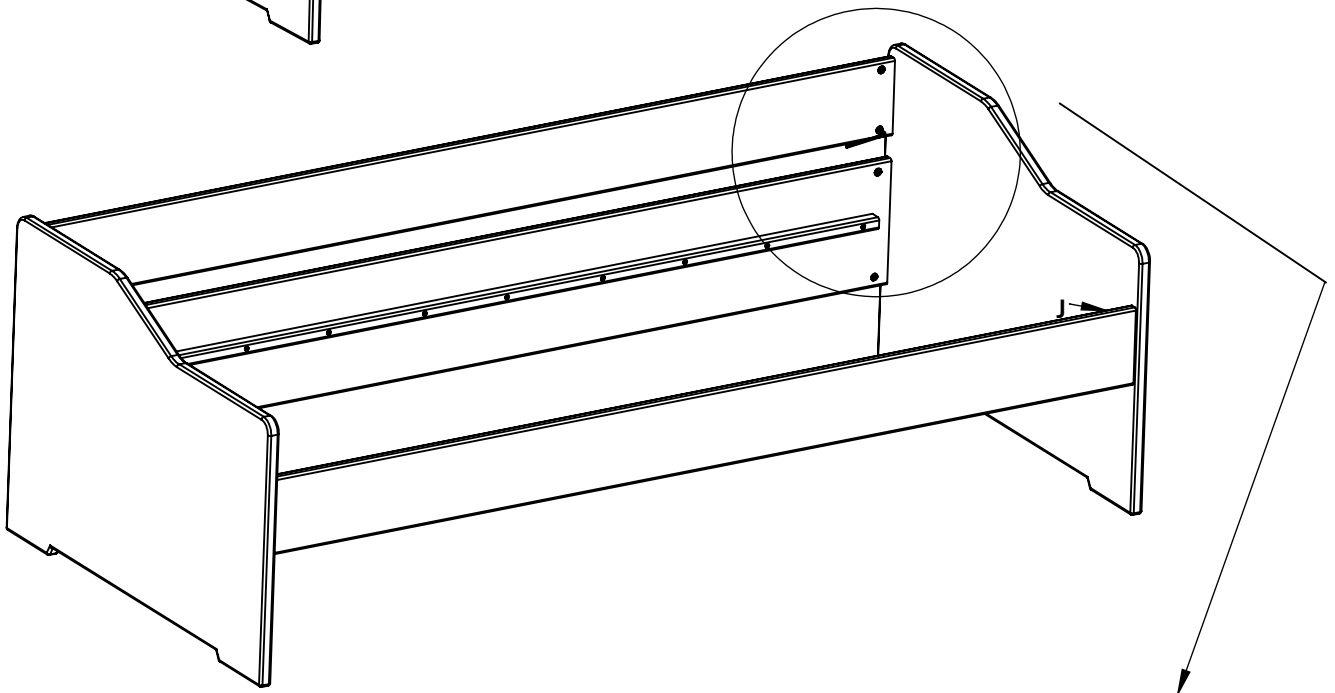
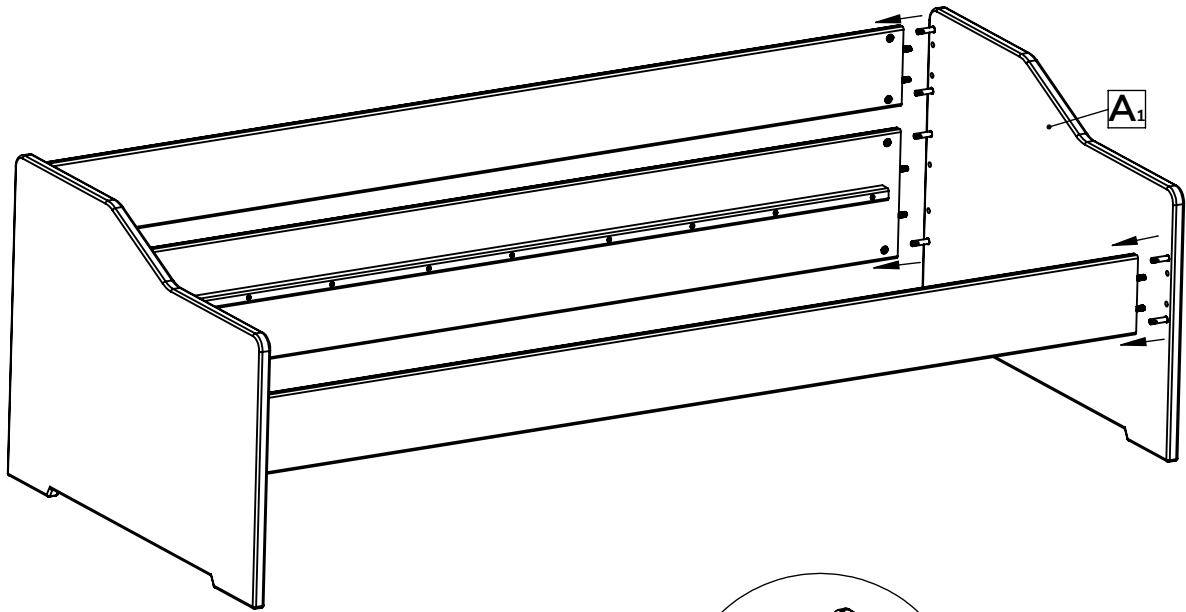


Sw5

6

1

5

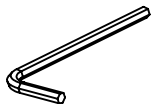


J



M10x10, ISK5

P

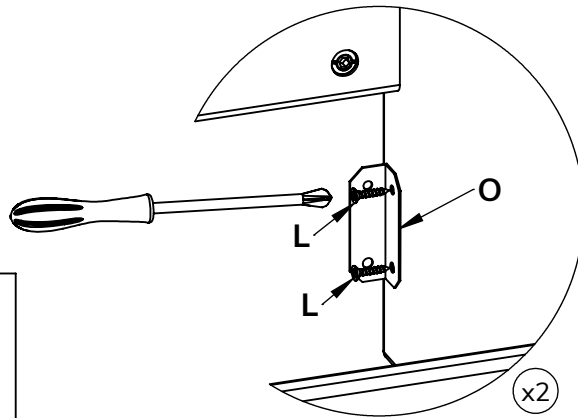
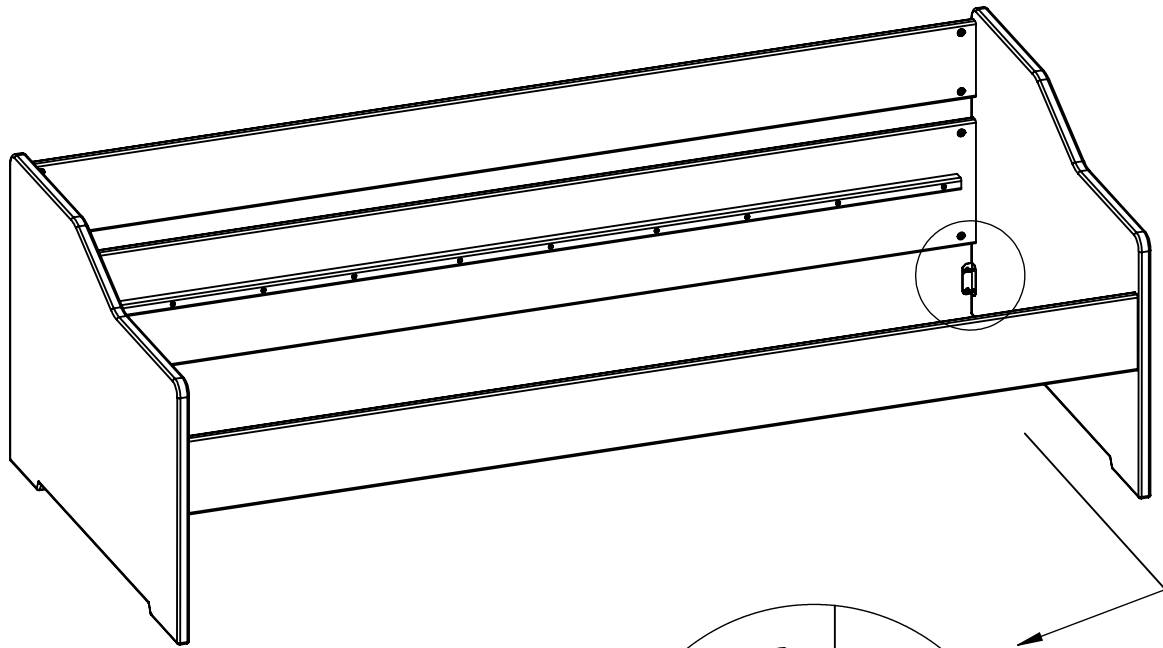


Sw5

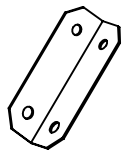
6

1

6



O



66x20x20

2

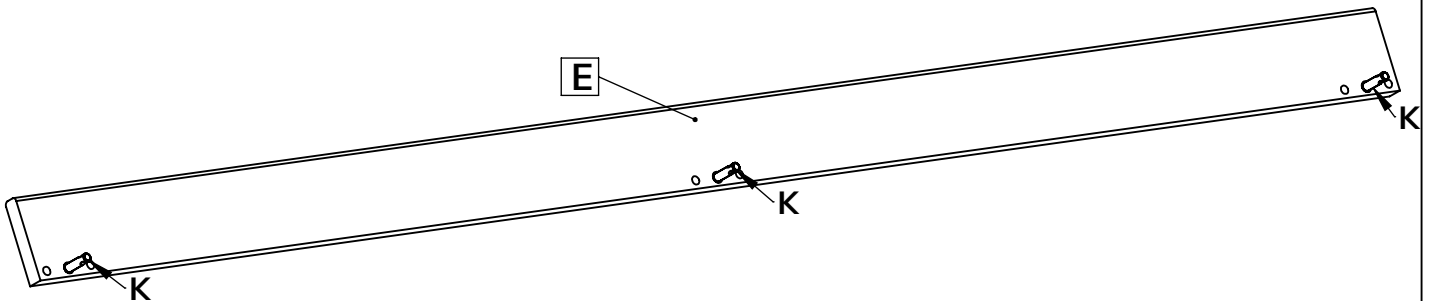
L



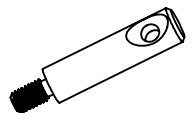
4.0x20

4

7



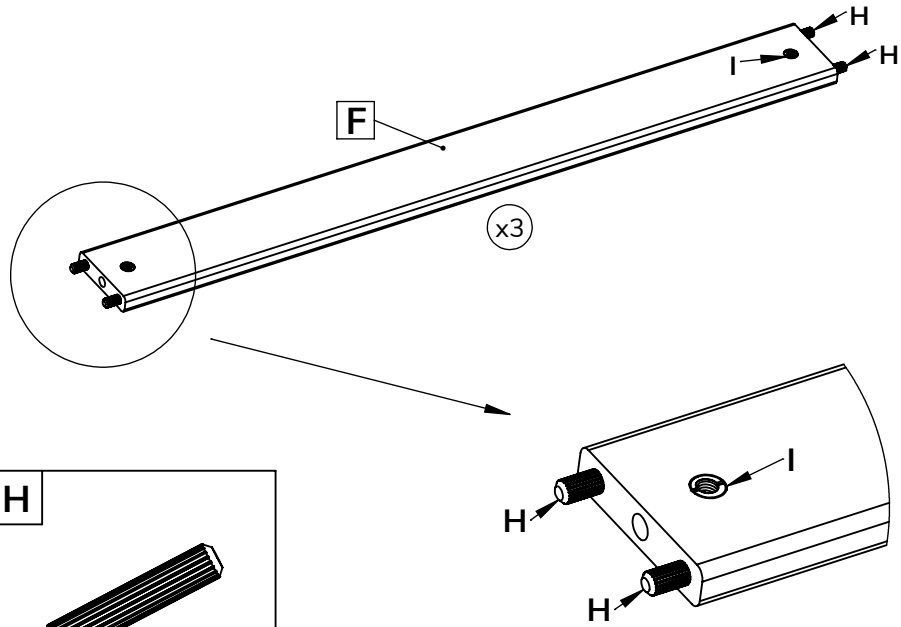
K



∅ 10x48.5, M6x11

3

8



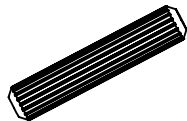
I



Ø 15x17

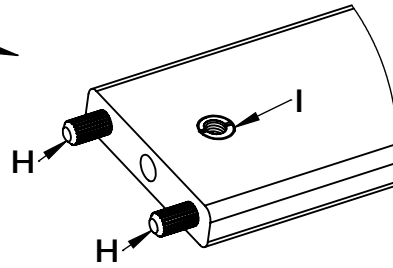
6

H

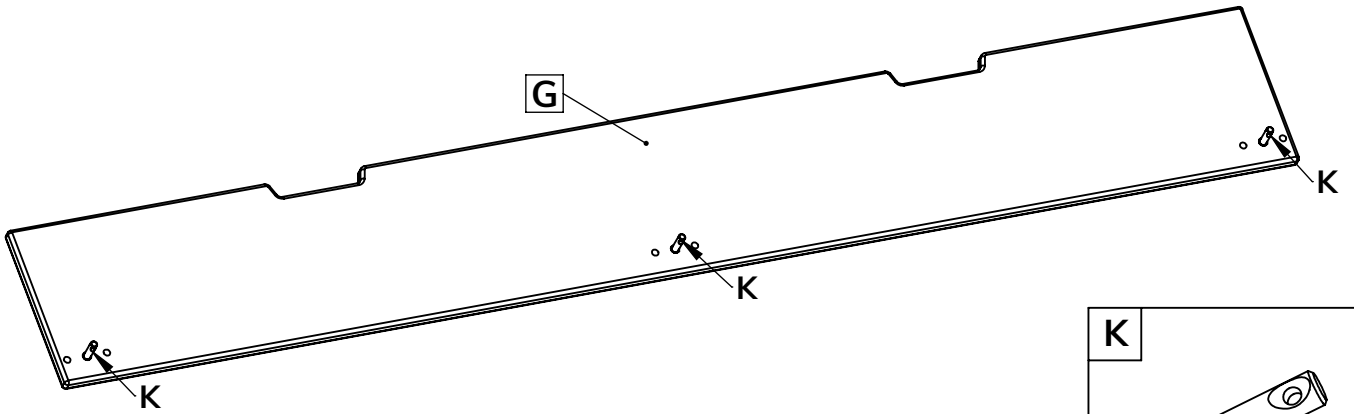


Ø 10x40

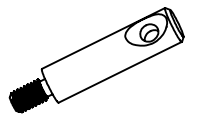
12



9



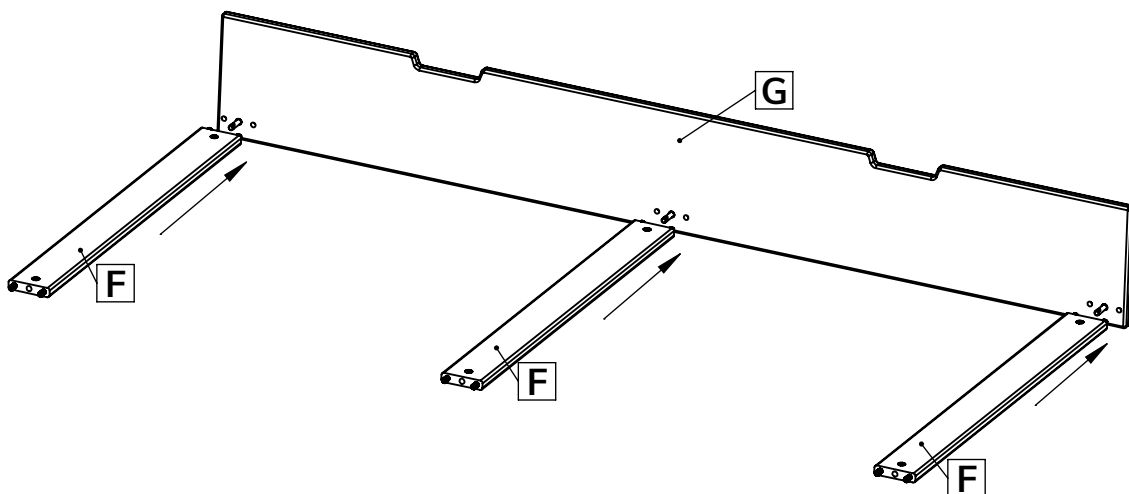
K

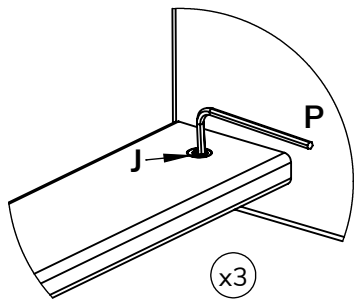
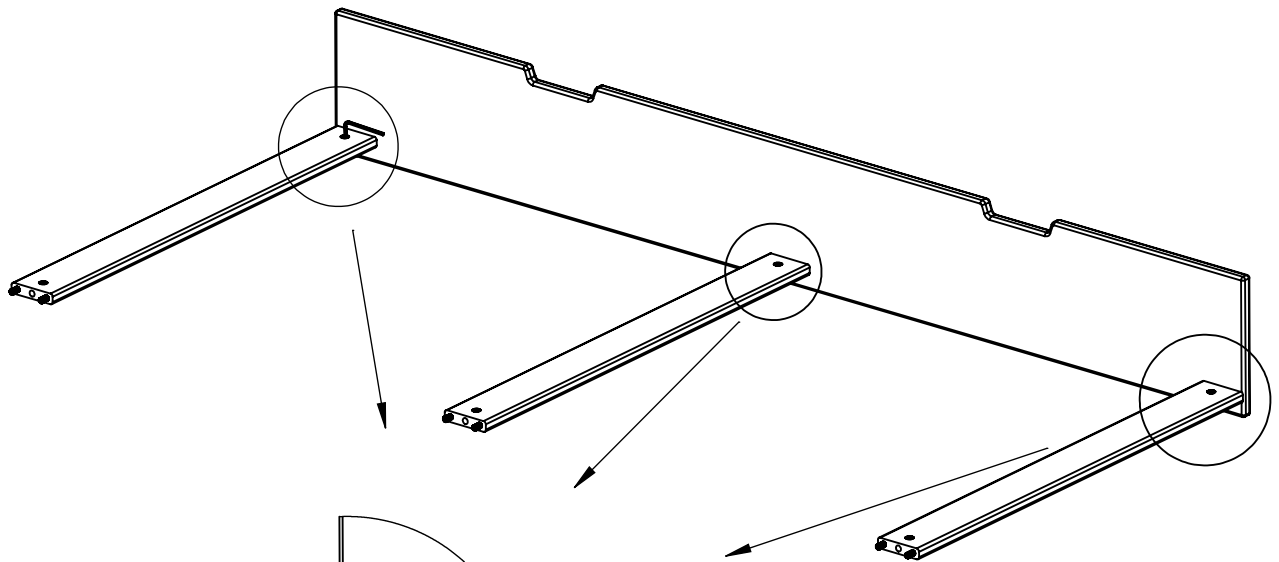



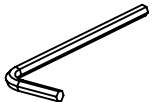
Ø 10x48.5, M6x11

3

10



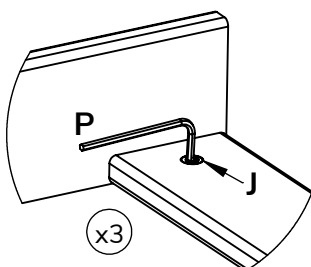
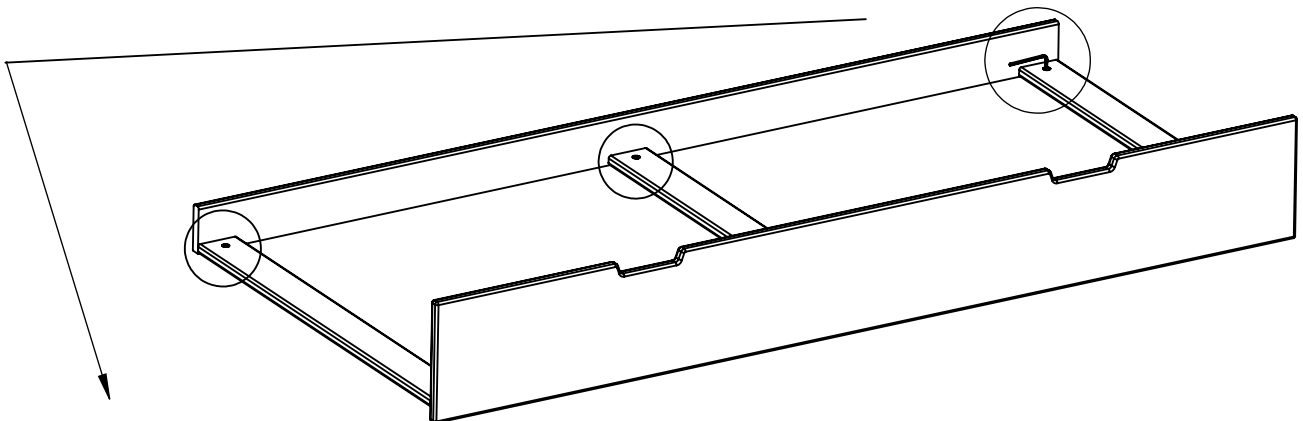
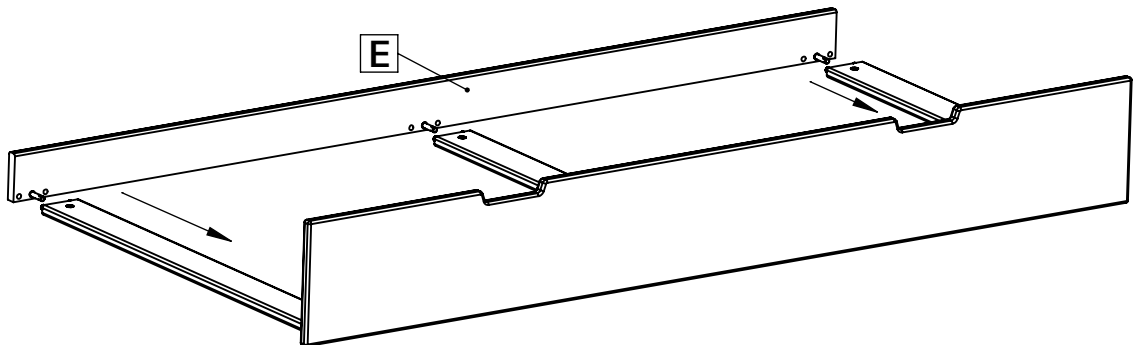



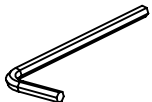
<p>J</p> 	<p>P</p> 
<p>M10x10, ISK5</p>	<p>Sw5</p>

3

1

11

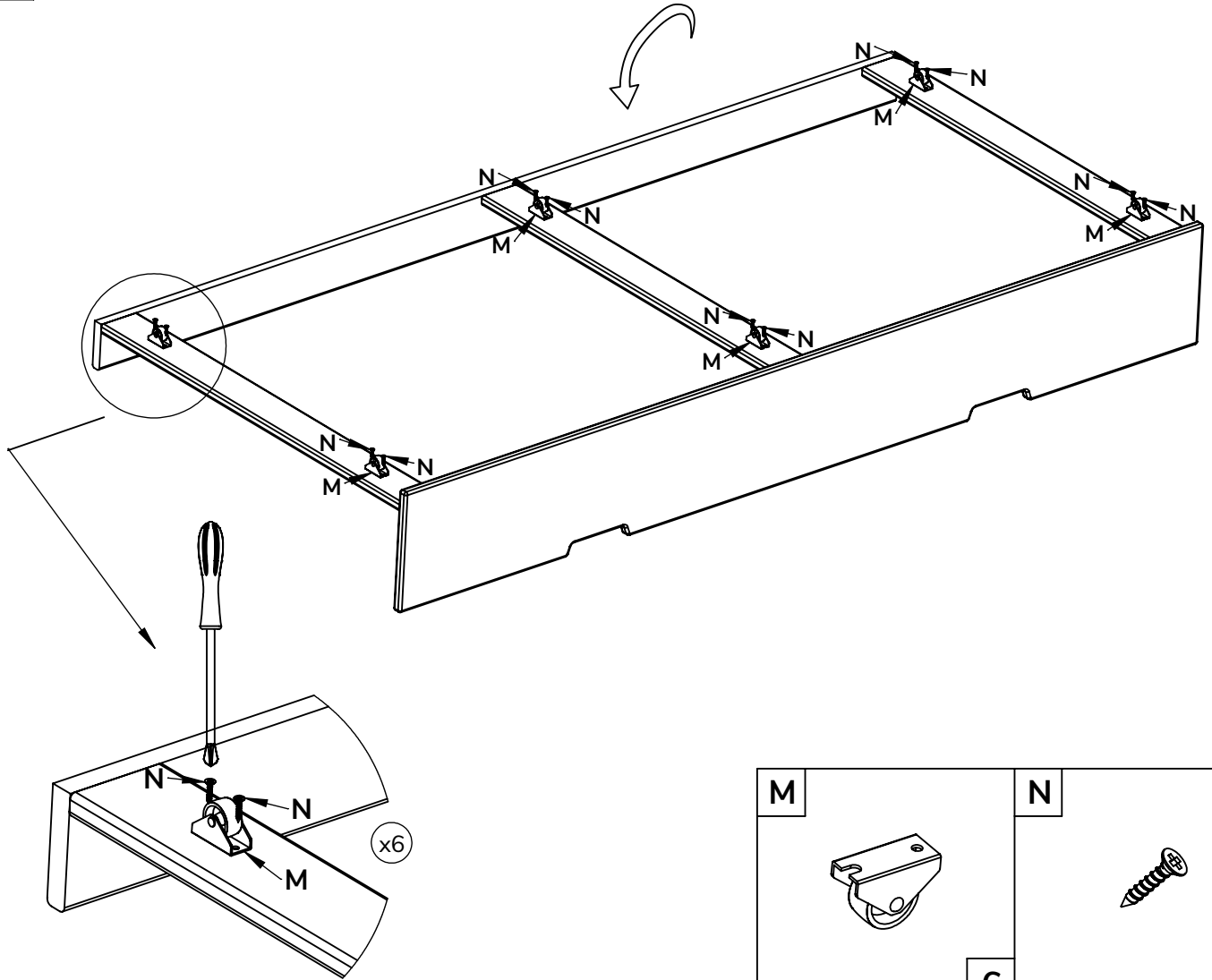


<p>J</p> 	<p>P</p> 
<p>M10x10, ISK5</p>	<p>Sw5</p>

3

1

12



13

