

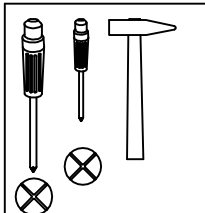
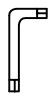
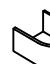



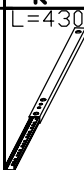




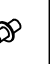


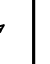



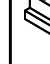


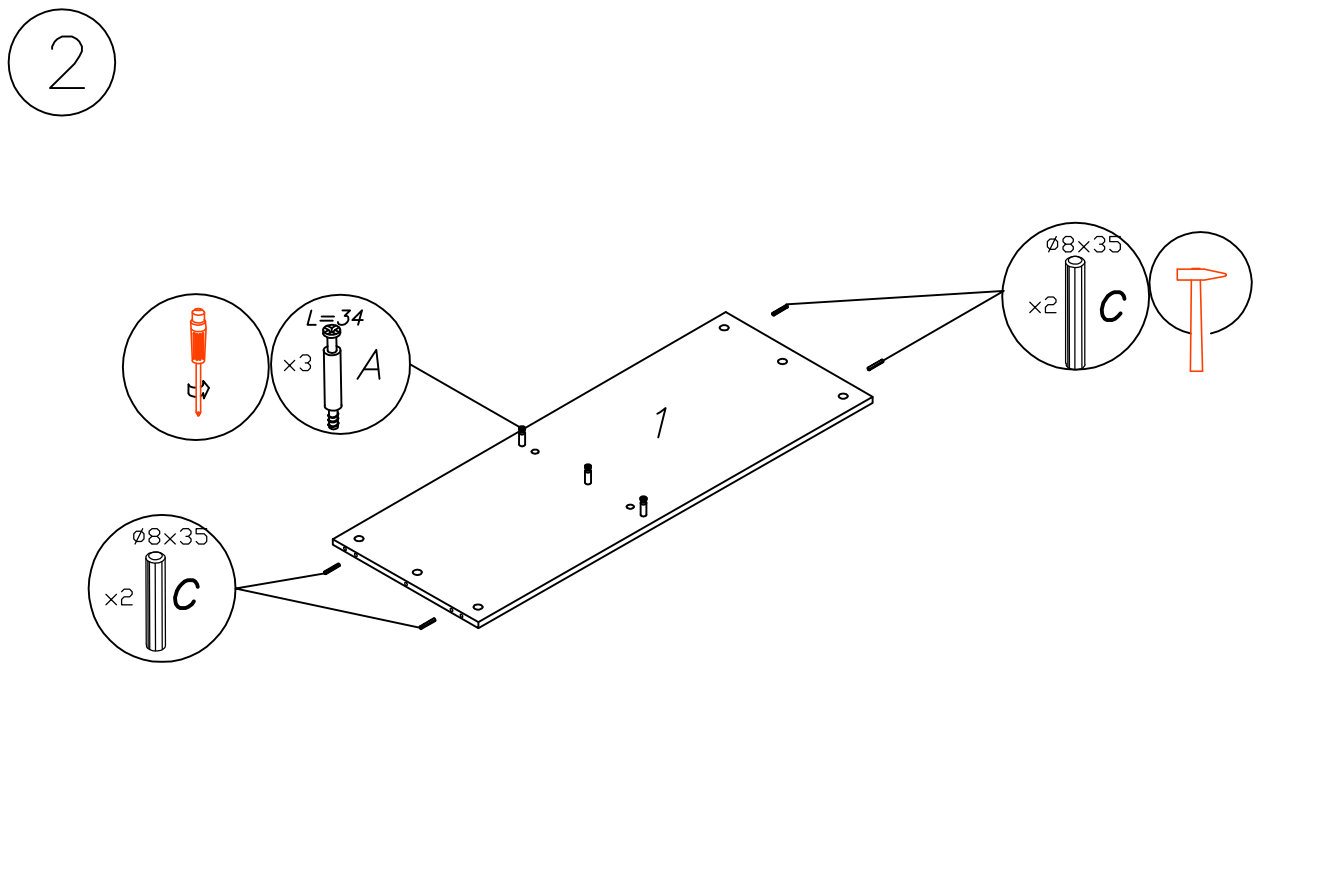
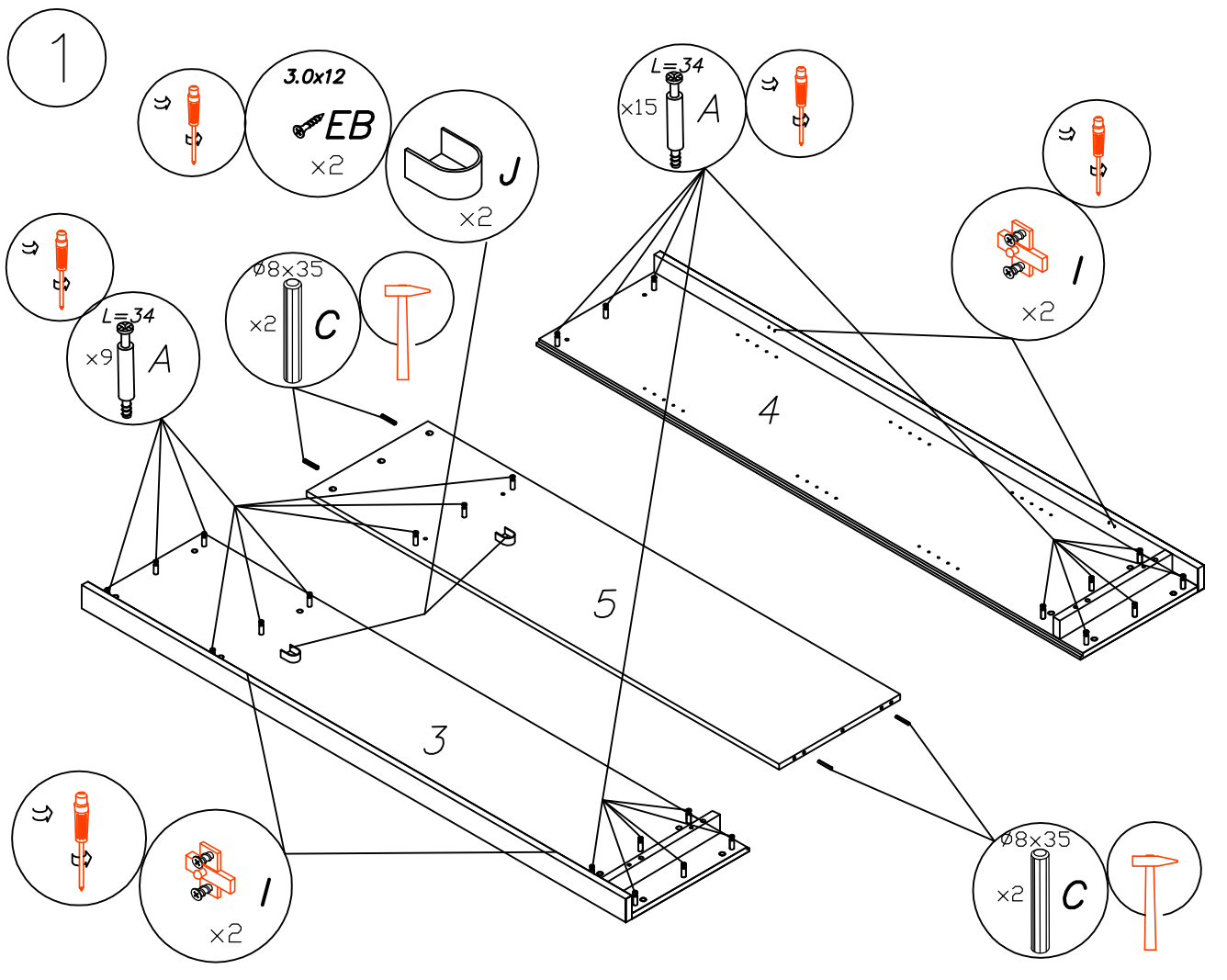


18 x11 
 19 x2 

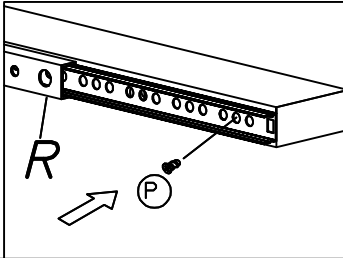
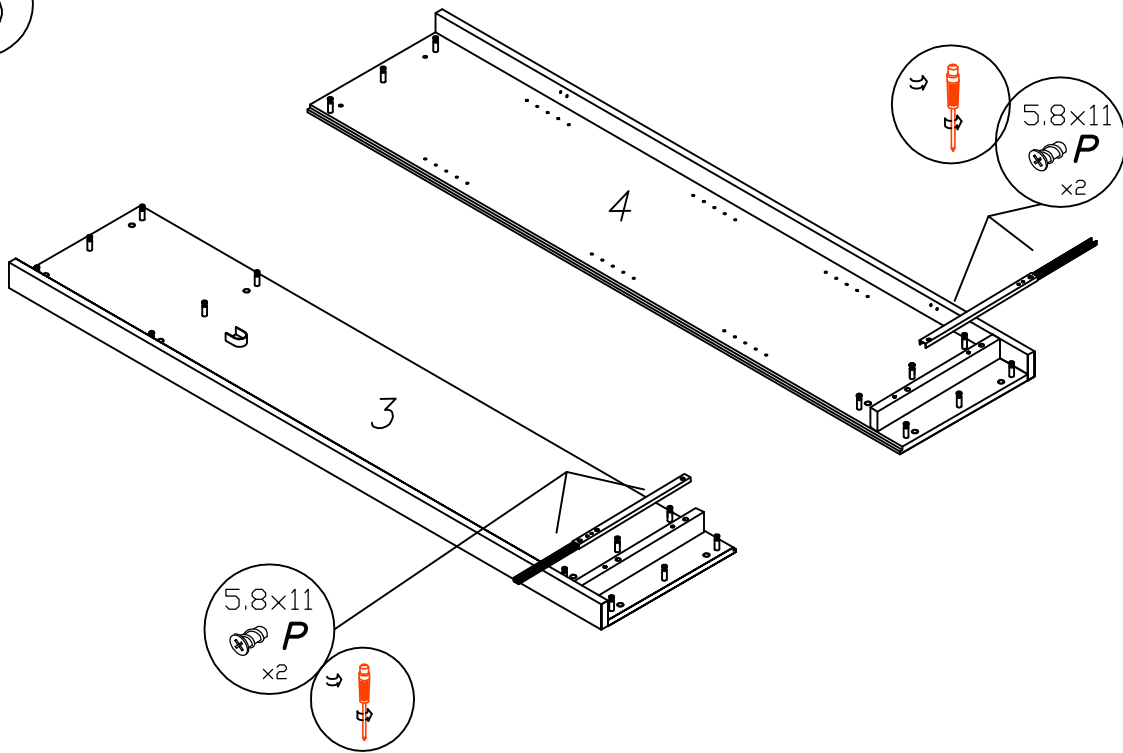


D	X	G	P	L	R
		1.2x20 	5.8x11 	M4x11 	L=430 
x 1	x 2	x50	x4	x2	x6

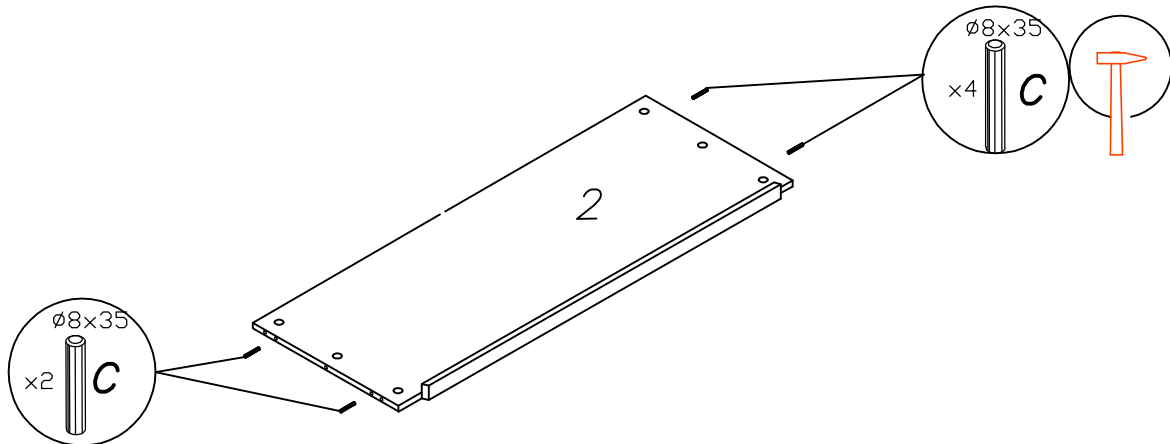
A	B	C	CA	D	E	EA	EB	EC	H	I	M	X	Q
L=34	Ø15x12	Ø8x35	Ø10x40		3.5x15	3.5x35	3.0x12	3.5x16	Ø26				4.0x35
													
x32	x32	x22	x8	x12	x 8	x17	x2	x 4	x4	x4	x1	x 4	x 8



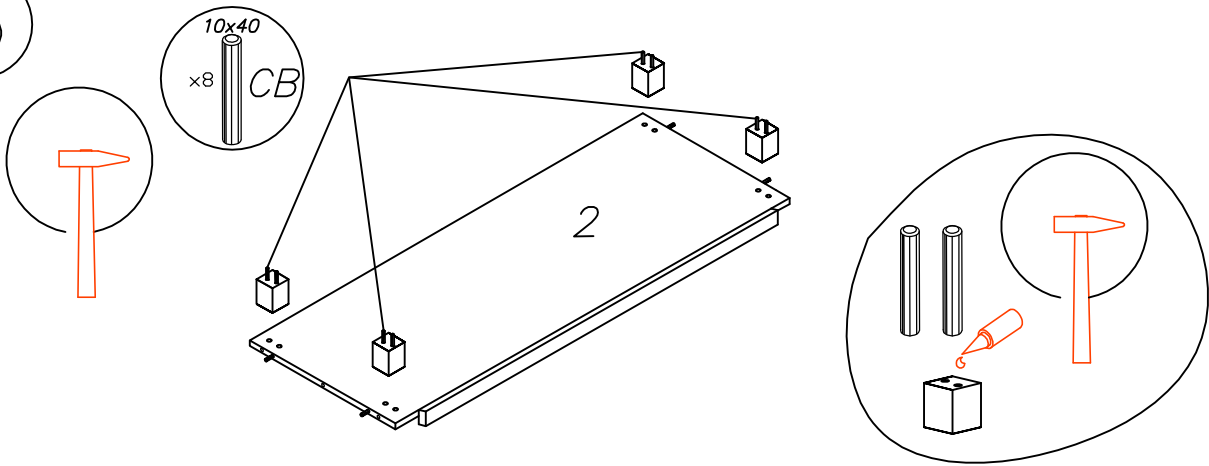
3



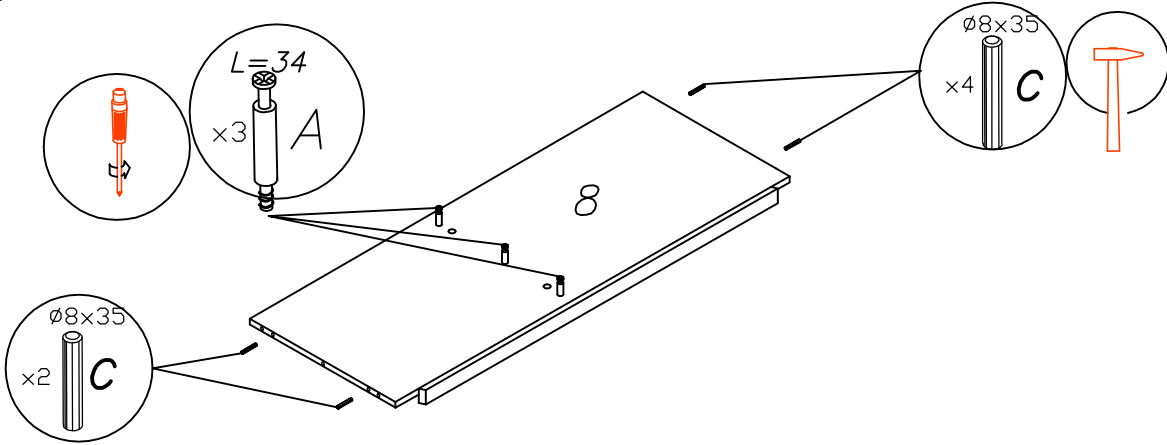
4



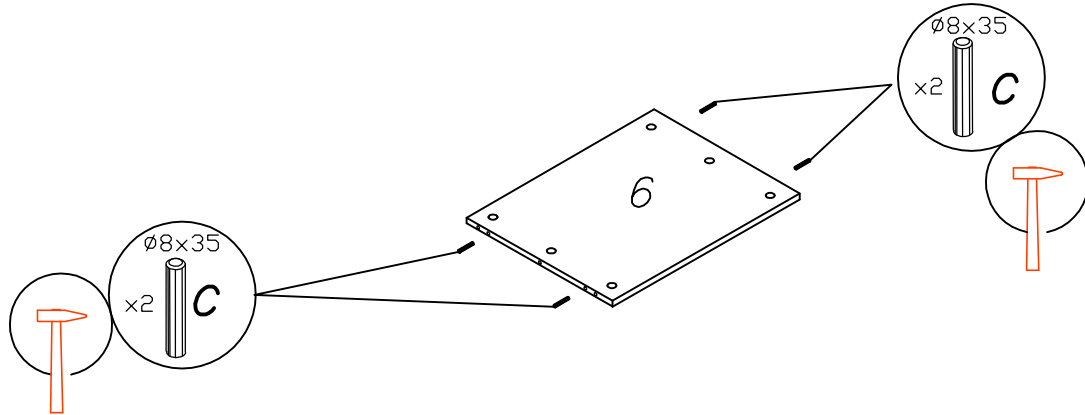
5



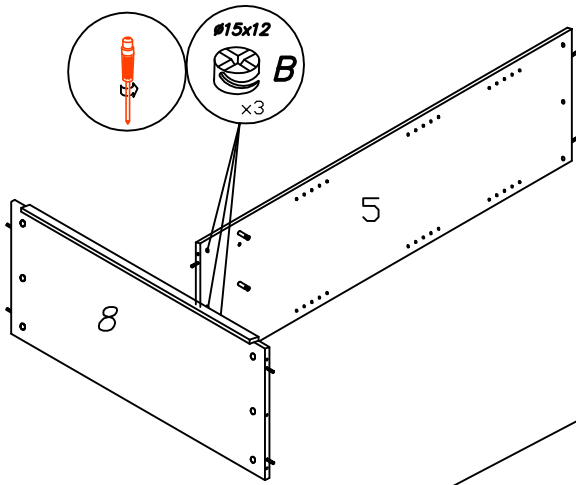
6



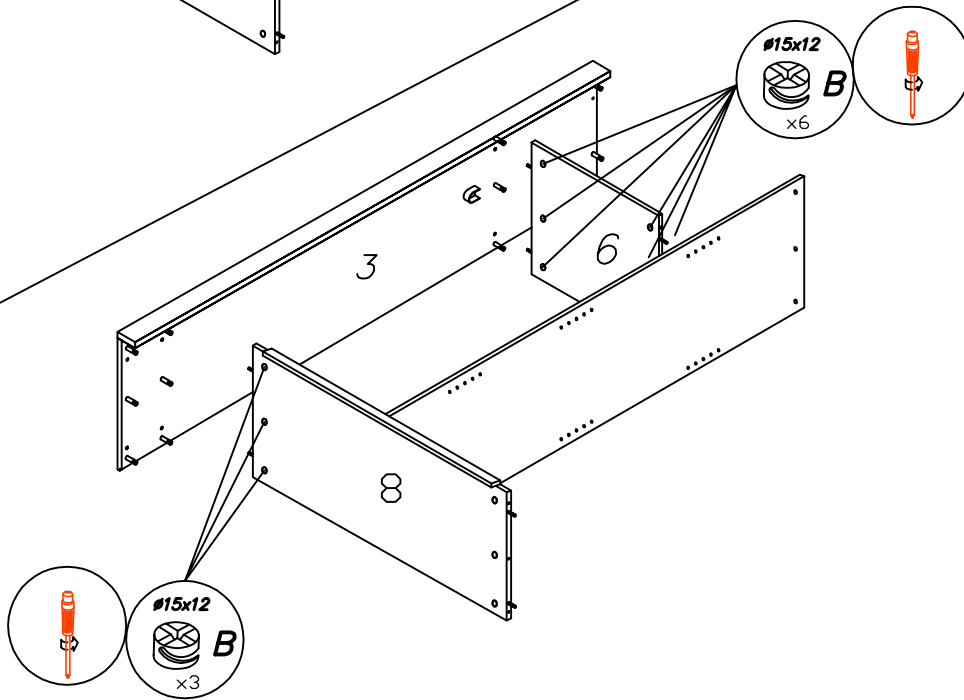
7



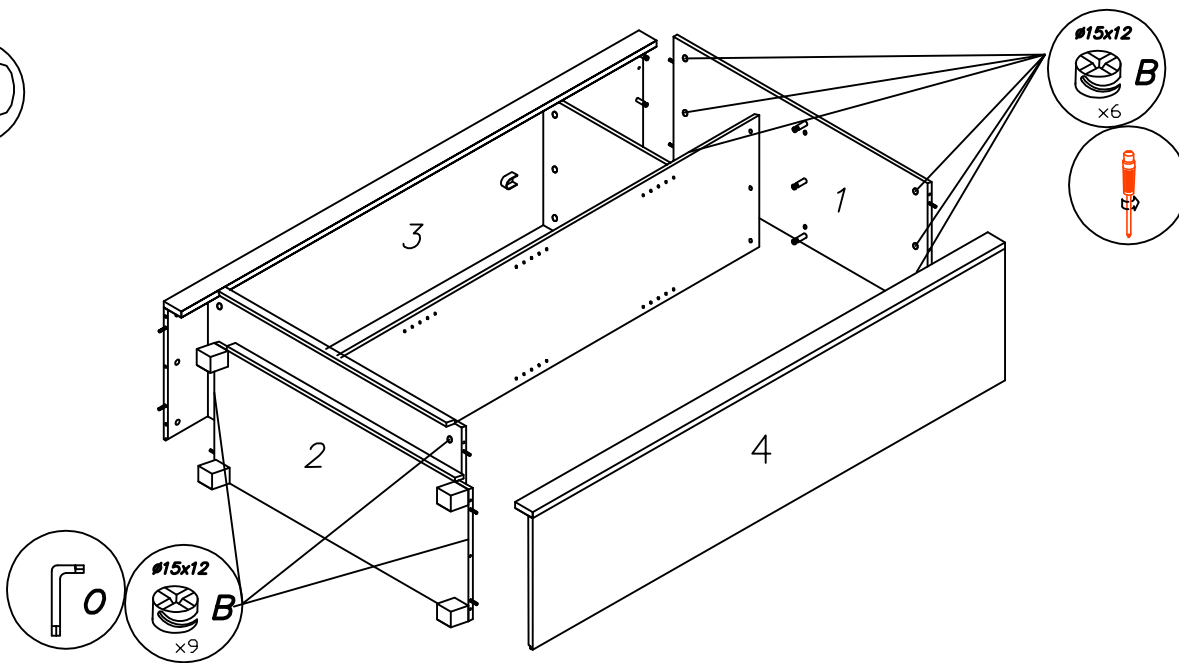
8



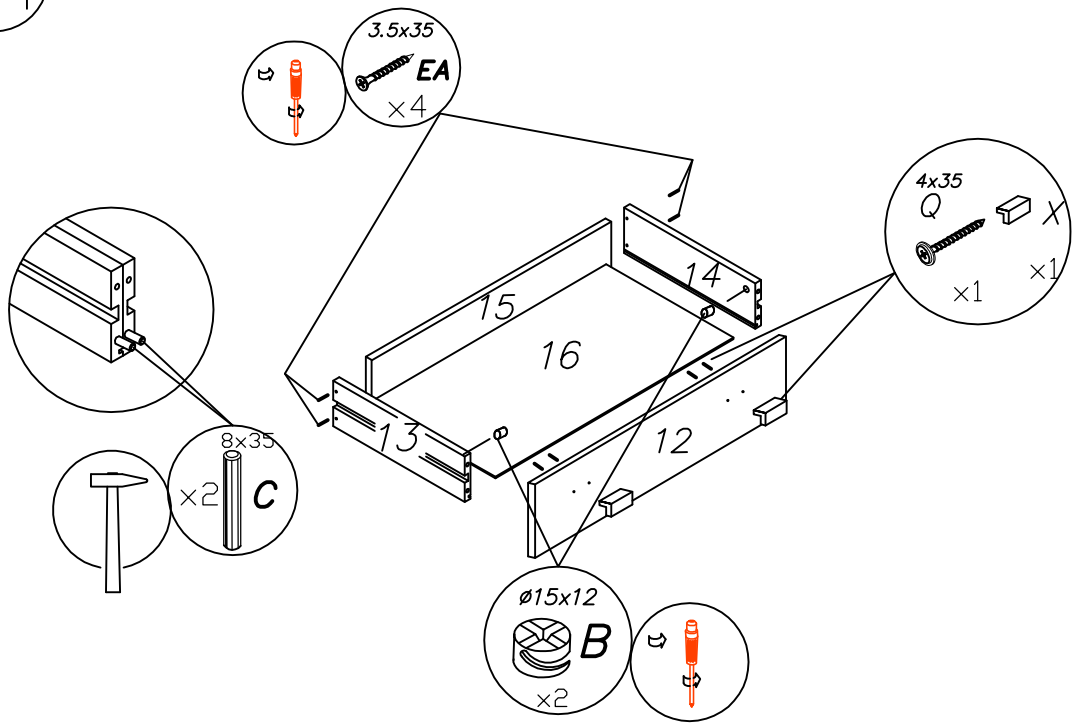
9



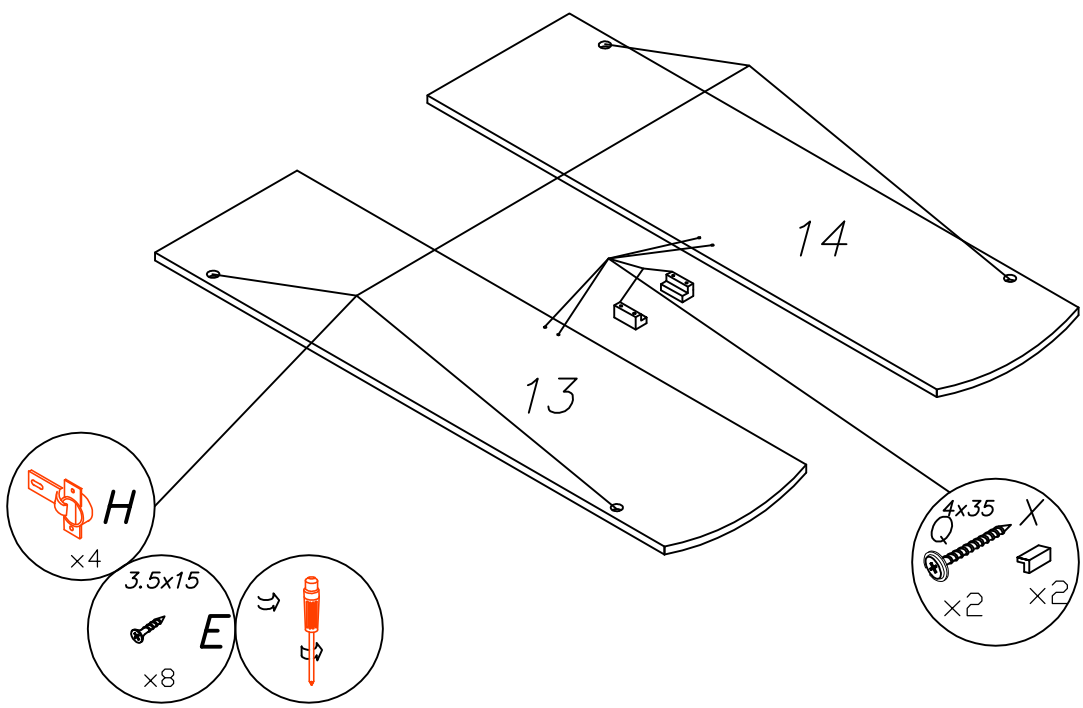
10



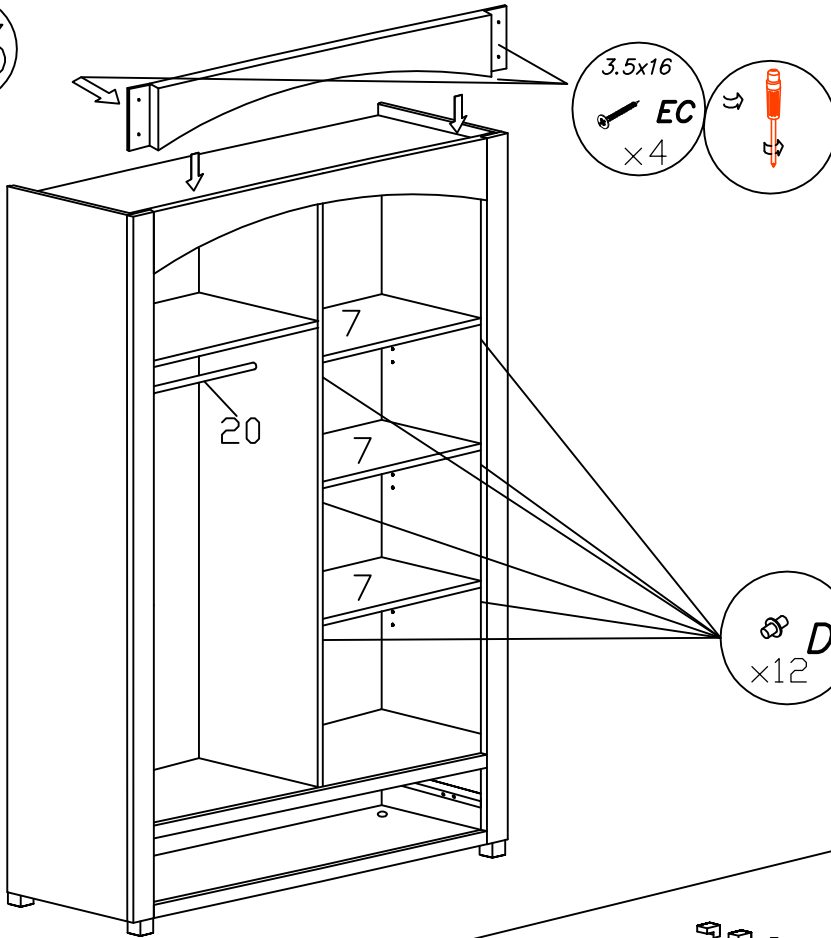
11



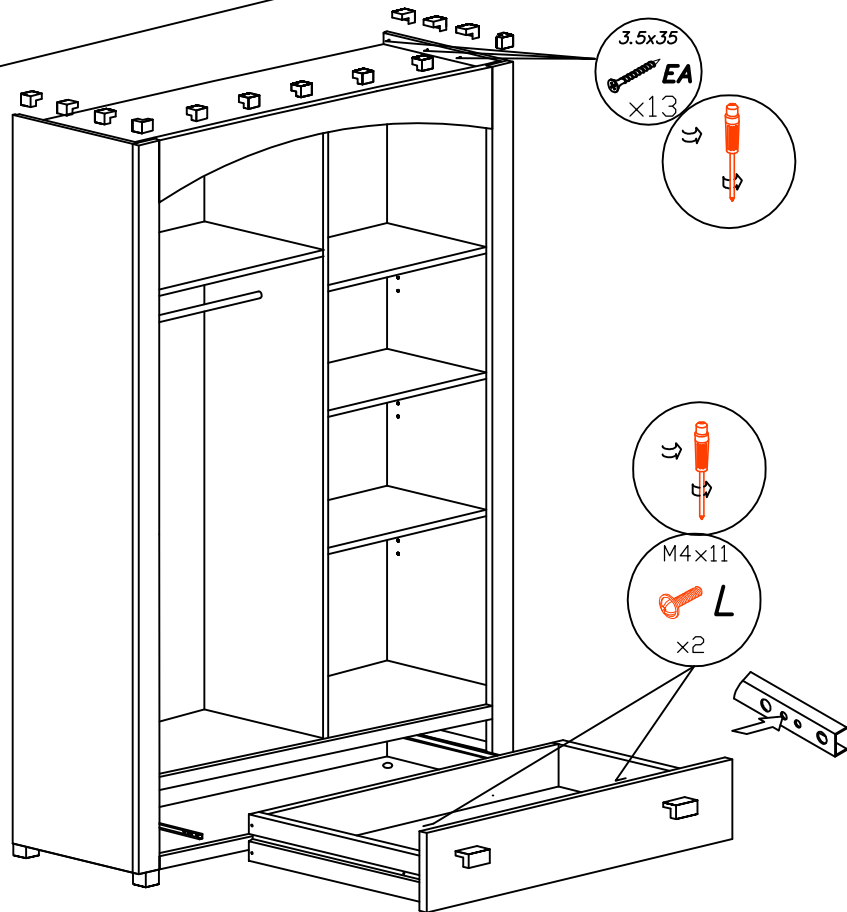
12



13



14



15

