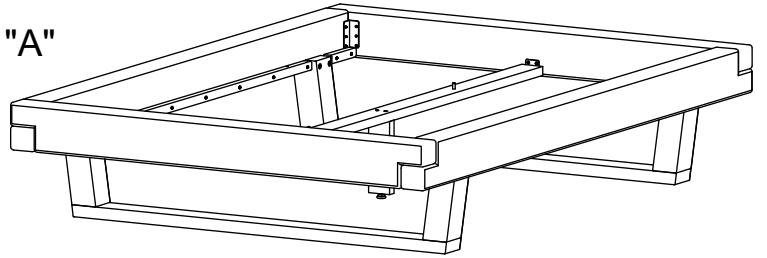
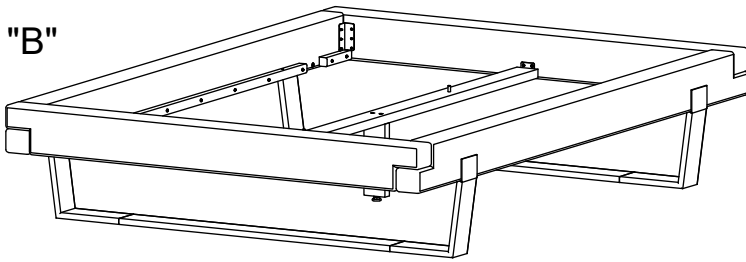


Bed

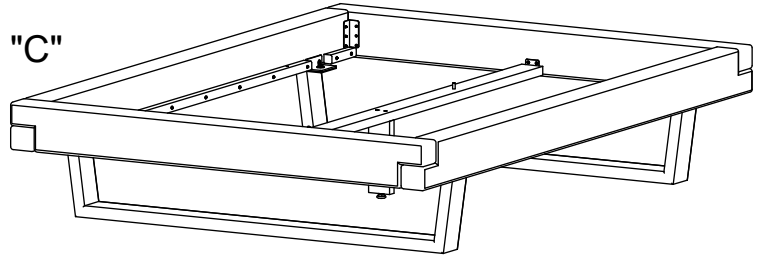
"A"



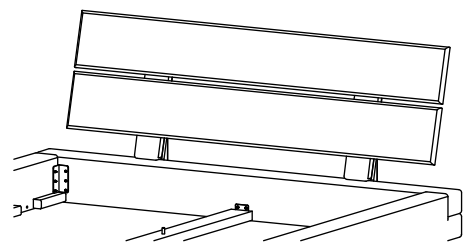
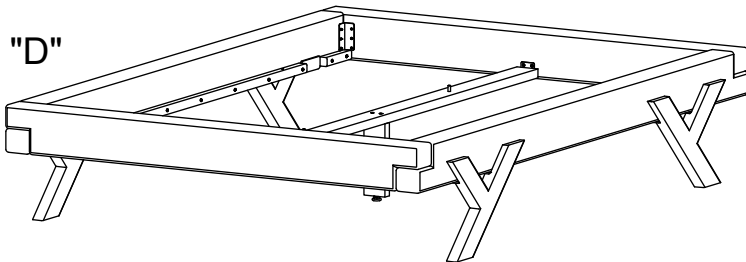
"B"



"C"

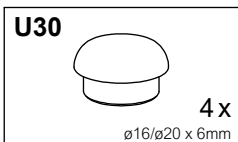
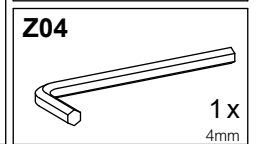
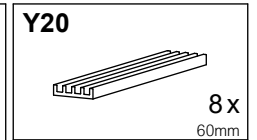
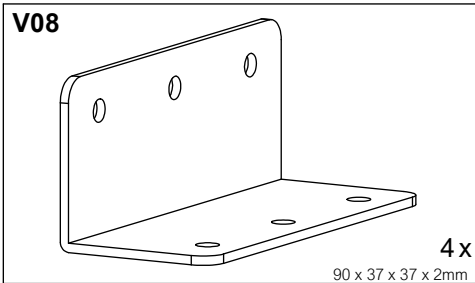
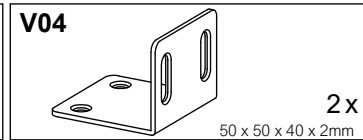
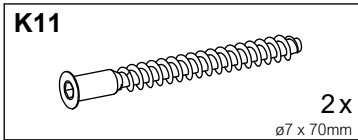
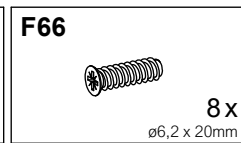
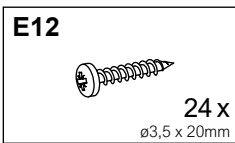
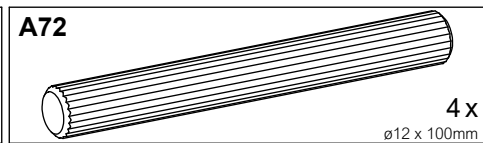
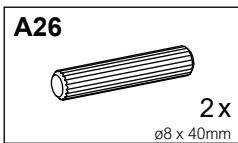
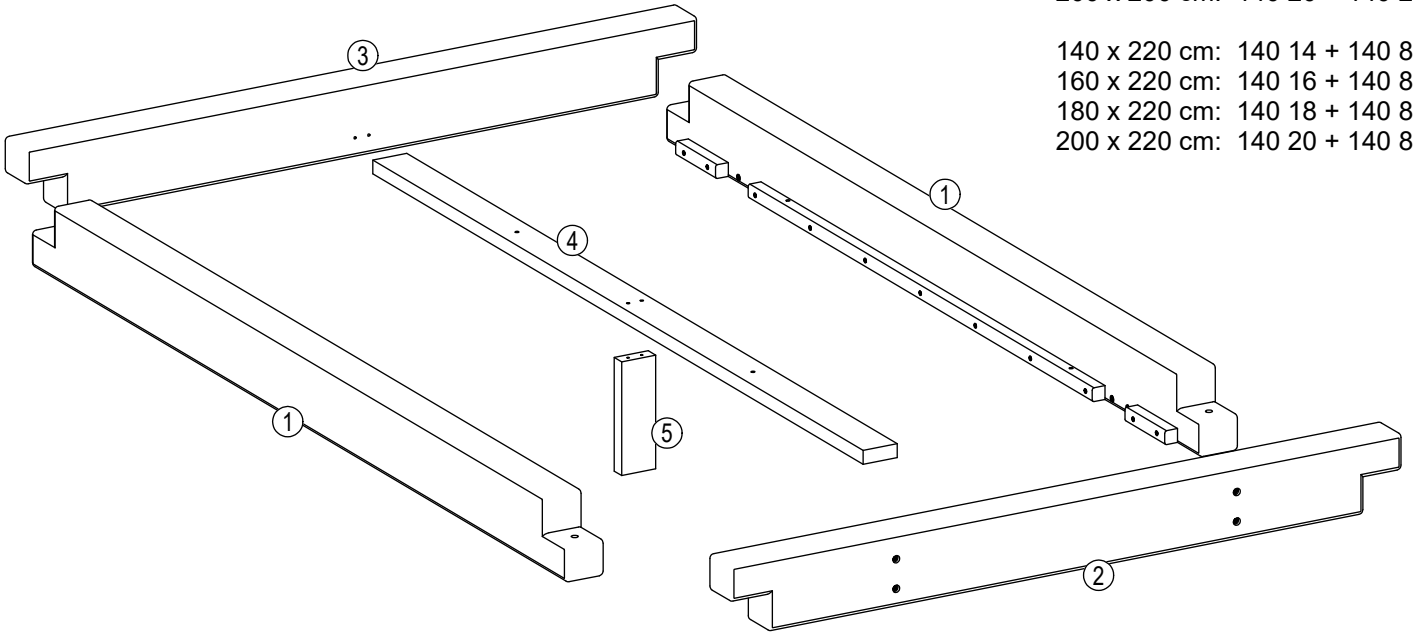


"D"

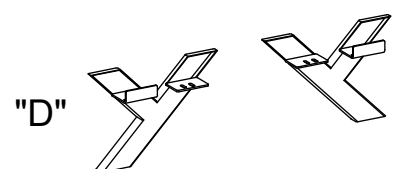
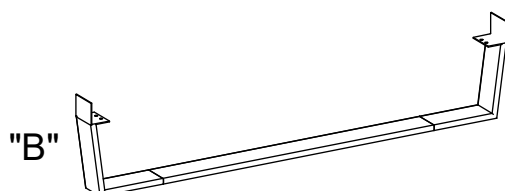
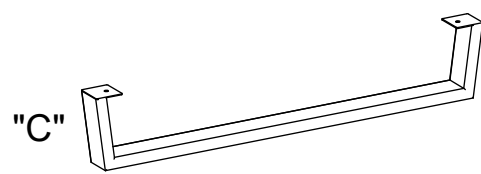
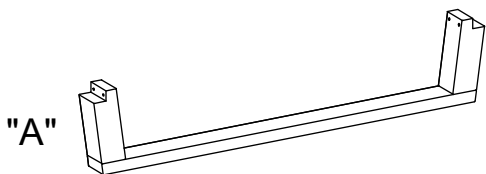


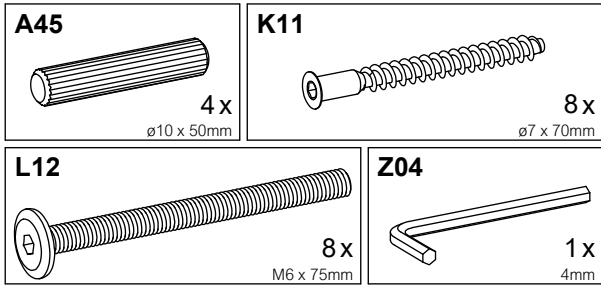
140 x 200 cm: 140 14 + 140 25
 160 x 200 cm: 140 16 + 140 25
 180 x 200 cm: 140 18 + 140 25
 200 x 200 cm: 140 20 + 140 25

140 x 220 cm: 140 14 + 140 82
 160 x 220 cm: 140 16 + 140 82
 180 x 220 cm: 140 18 + 140 82
 200 x 220 cm: 140 20 + 140 82

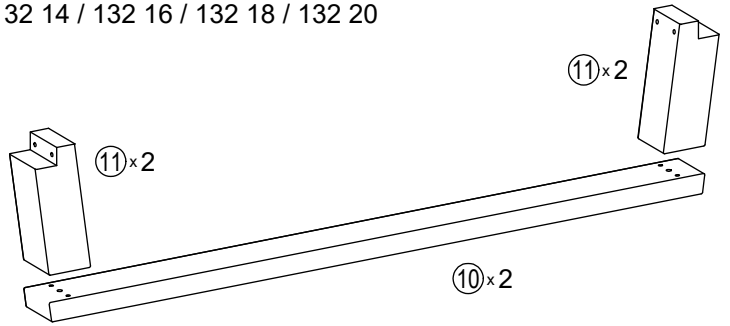


U30 is only included
 for beds without
 headboard.

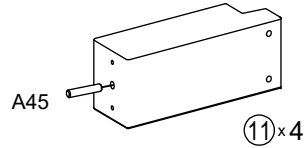
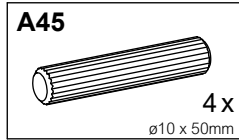




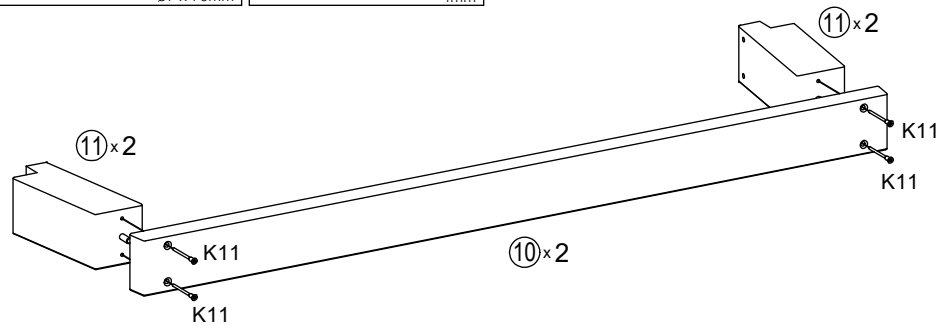
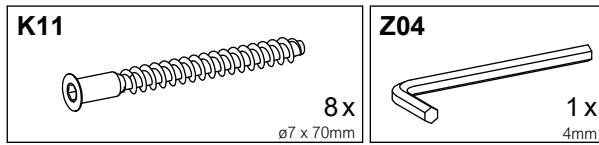
132 14 / 132 16 / 132 18 / 132 20



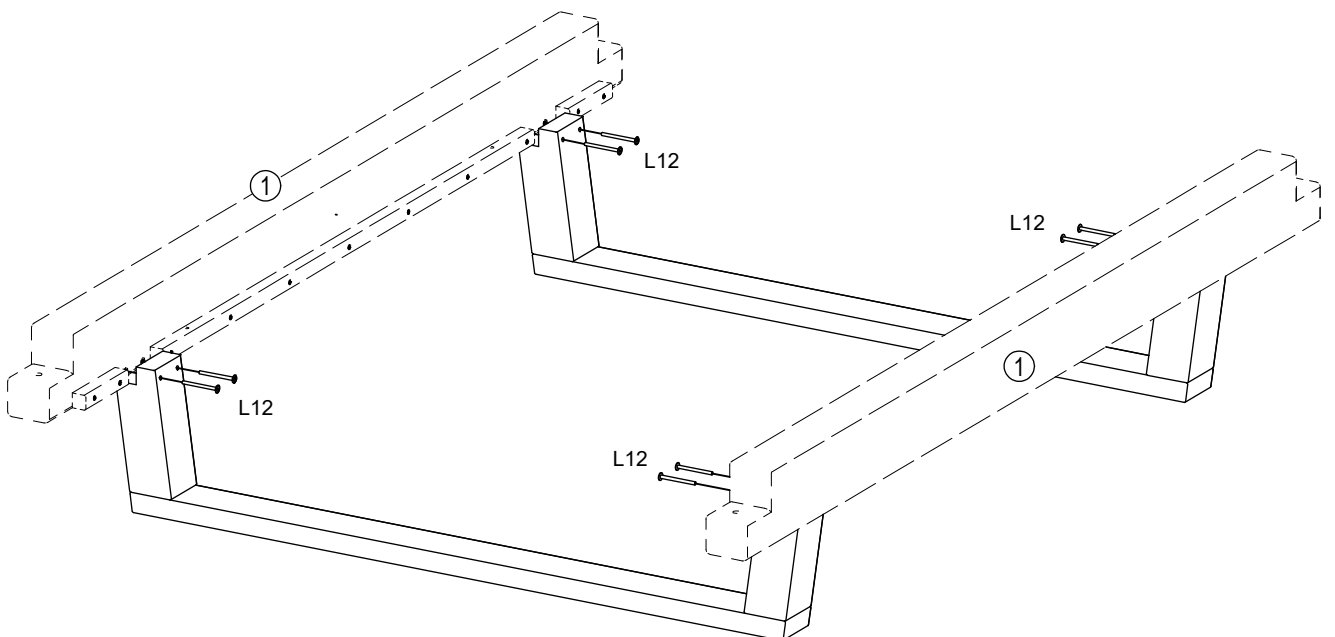
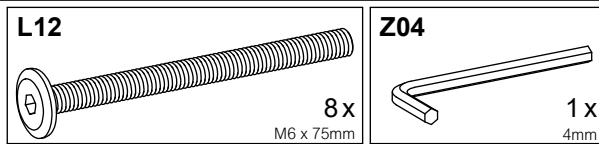
A1

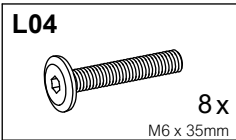


A2

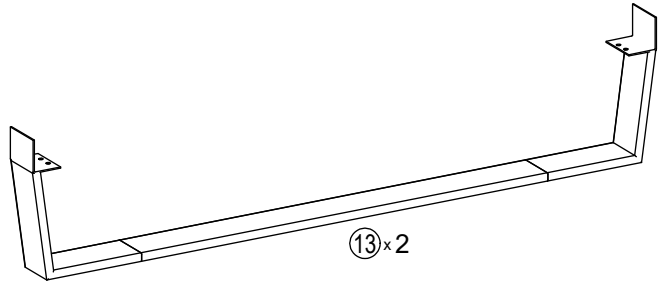
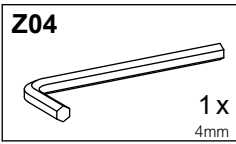


A3

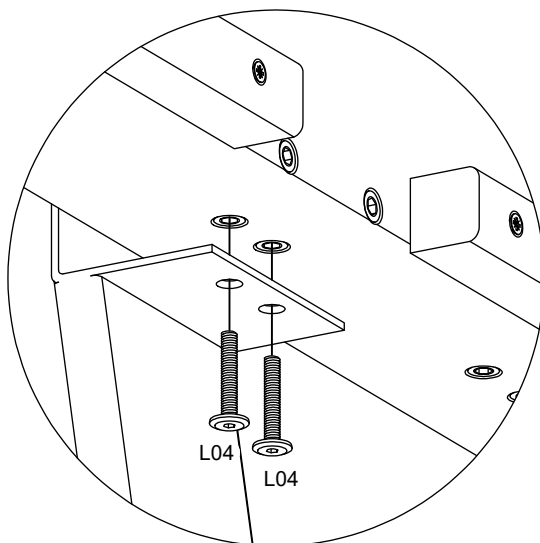
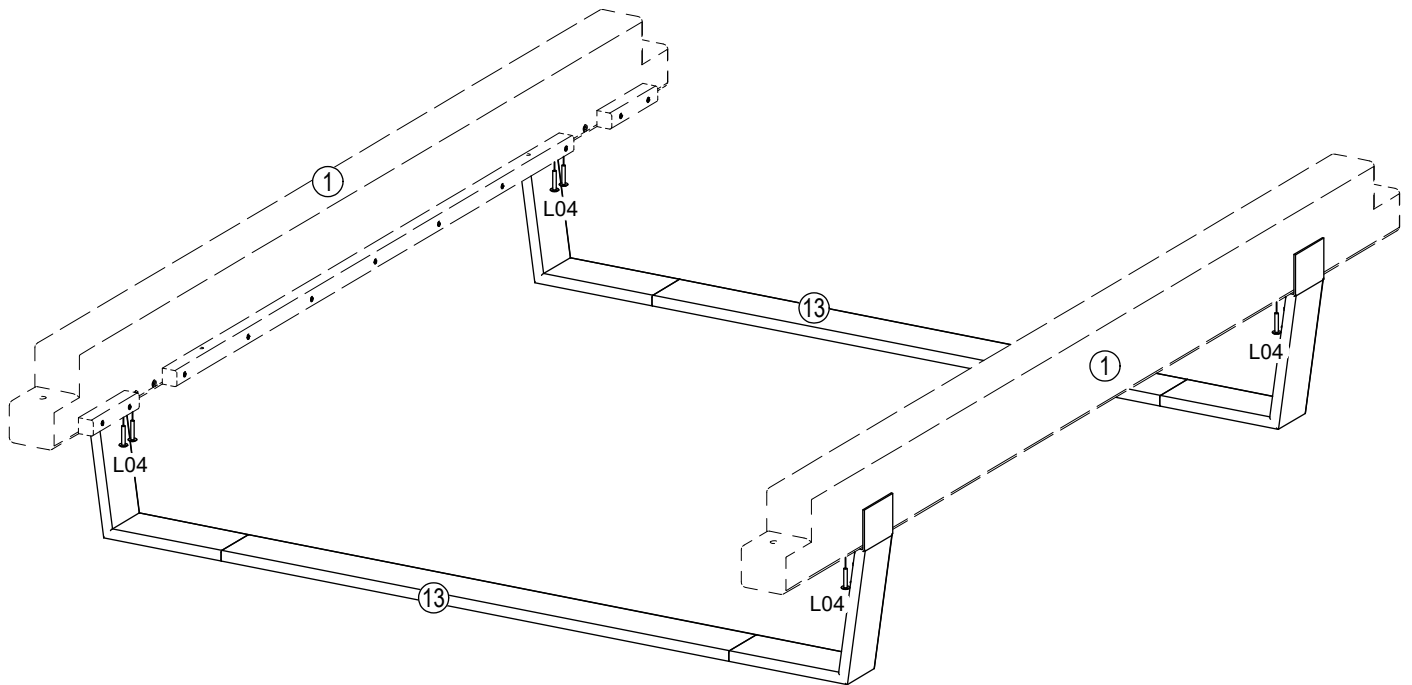
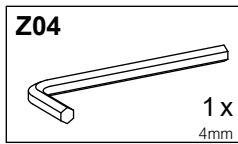
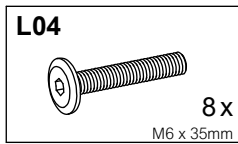


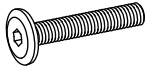

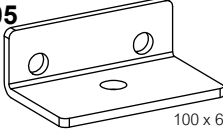

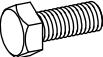

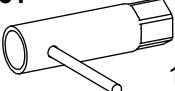


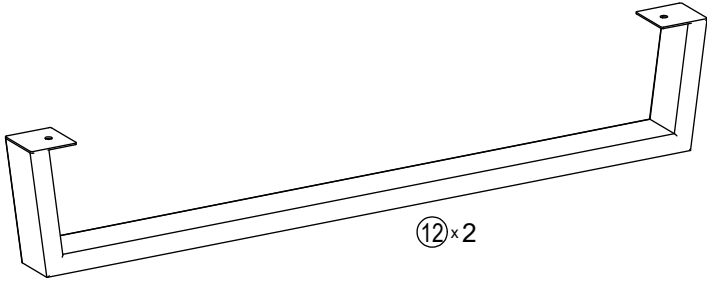
132 24 / 132 26 / 132 28 / 132 30




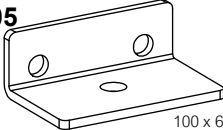

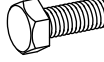
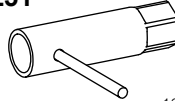
B1

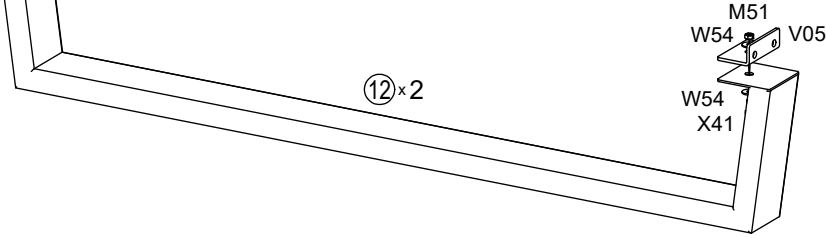
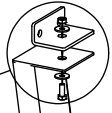
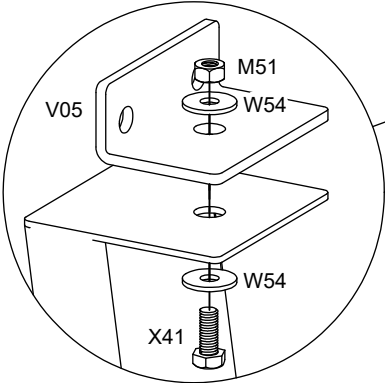


L04  8 x M6 x 35mm	M51  4 x M8	V05  4 x 100 x 62 x 36,5mm
W54  8 x ø24/ø8,4 x 2mm	X41  4 x M6 x 20mm	
Z04  1 x 4mm	Z51  1 x 13mm	





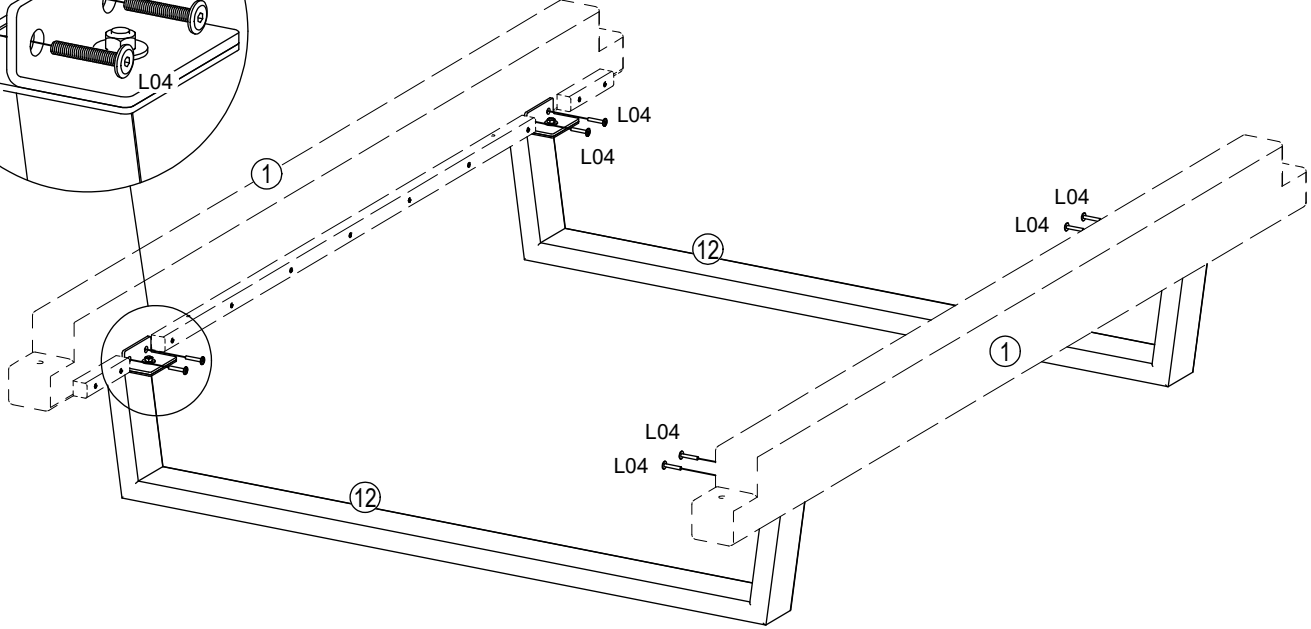
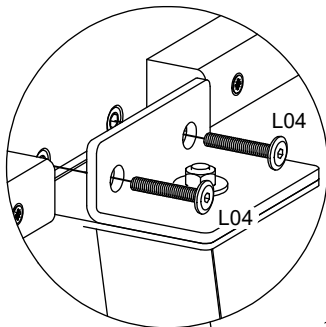
C1

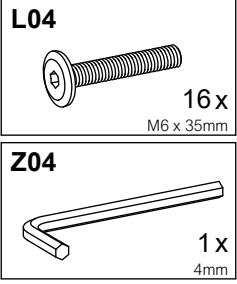
M51  8 x M8	V05  4 x 100 x 62 x 36,5mm	W54  8 x ø24/ø8,4 x 2mm	X41  4 x M6 x 20mm
			Z51  1 x 13mm



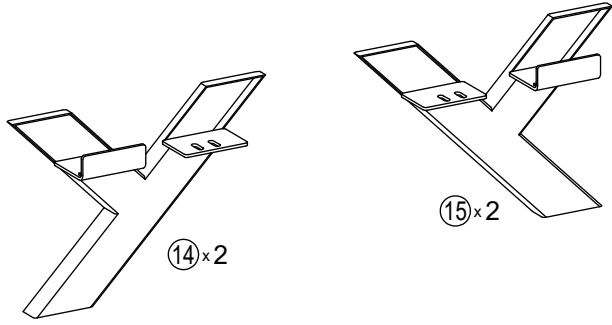
C2

L04  8 x M6 x 35mm	Z04  1 x 4mm
---	---

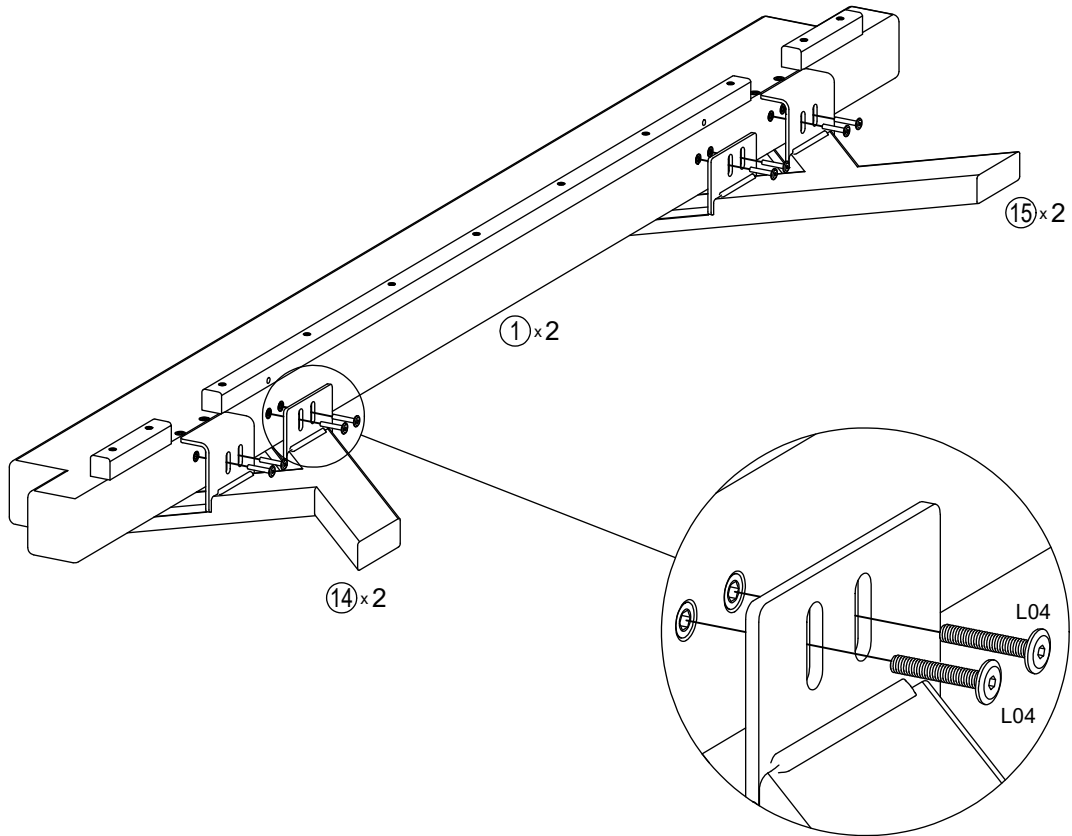
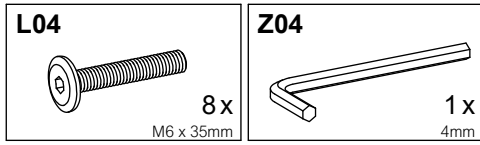




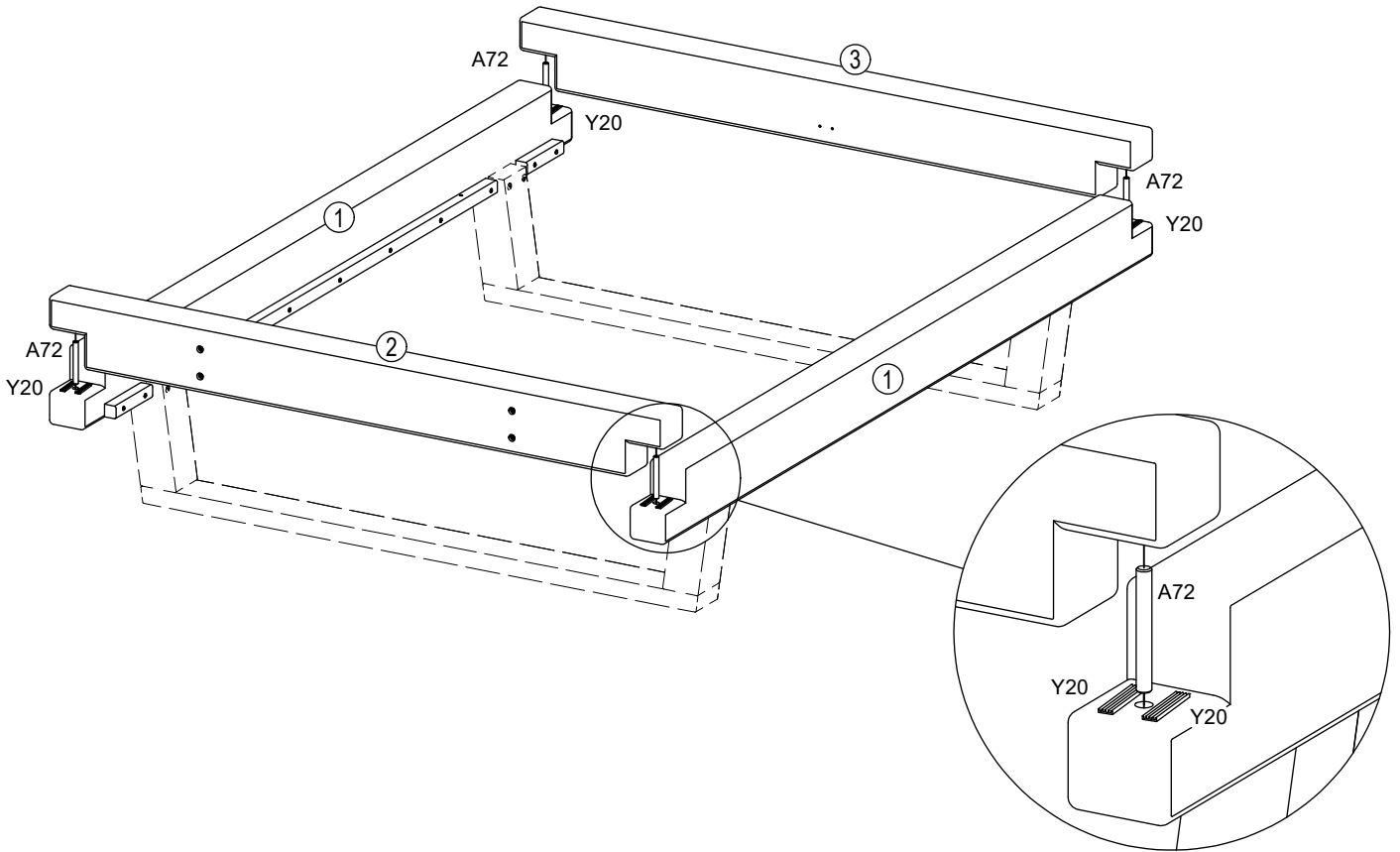
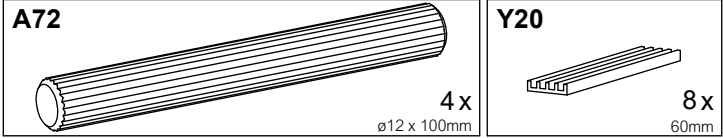
132 00



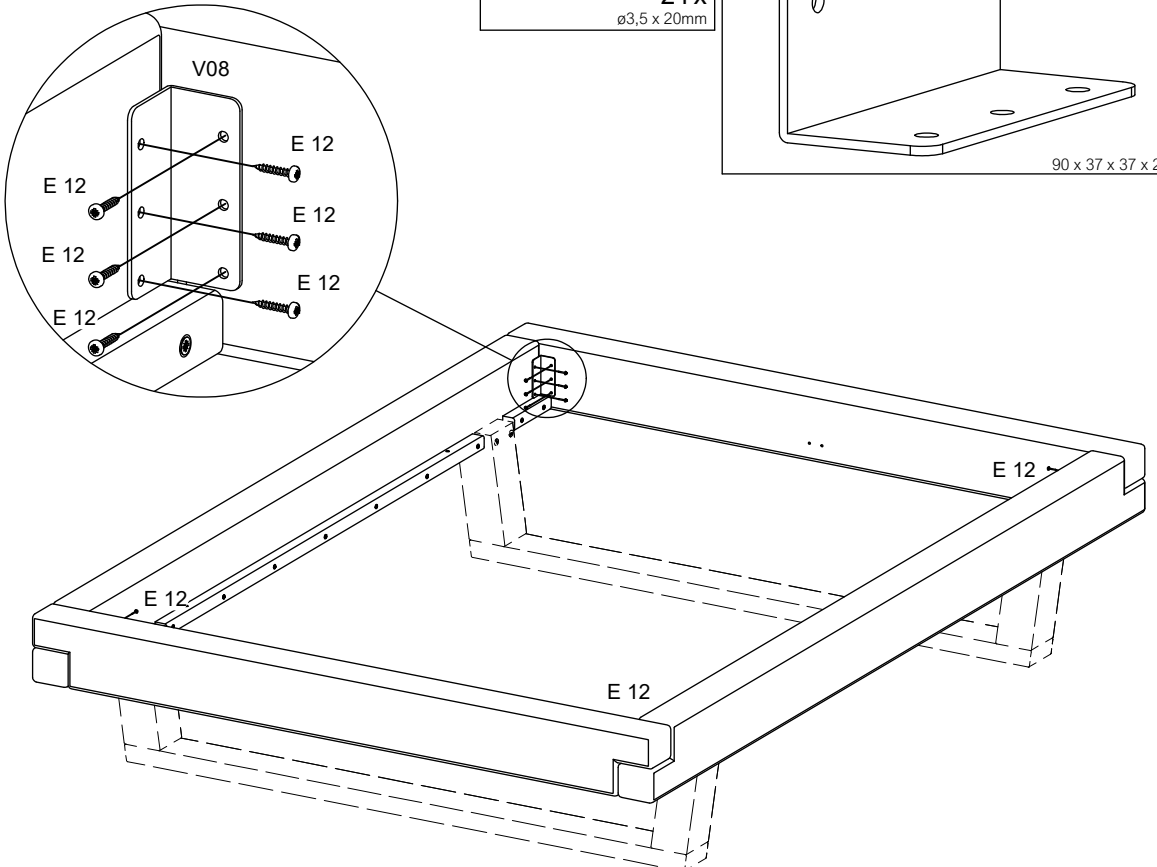
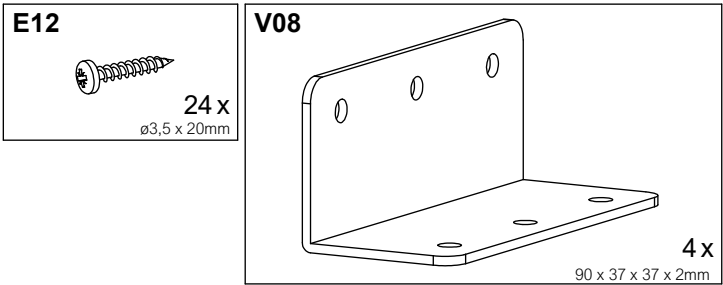
D1




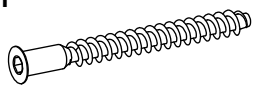
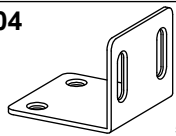

1

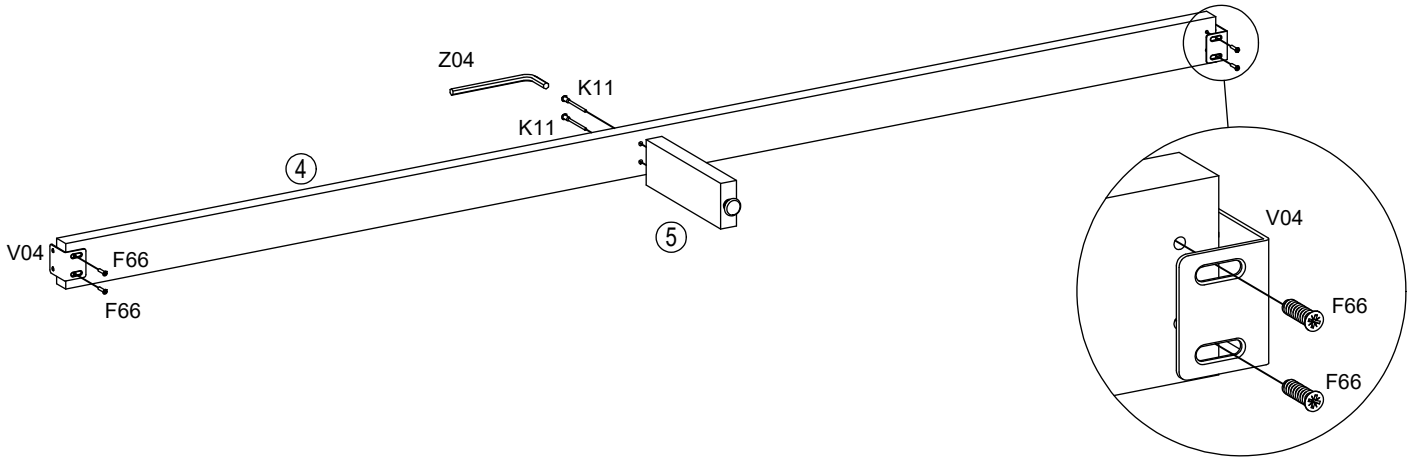


2






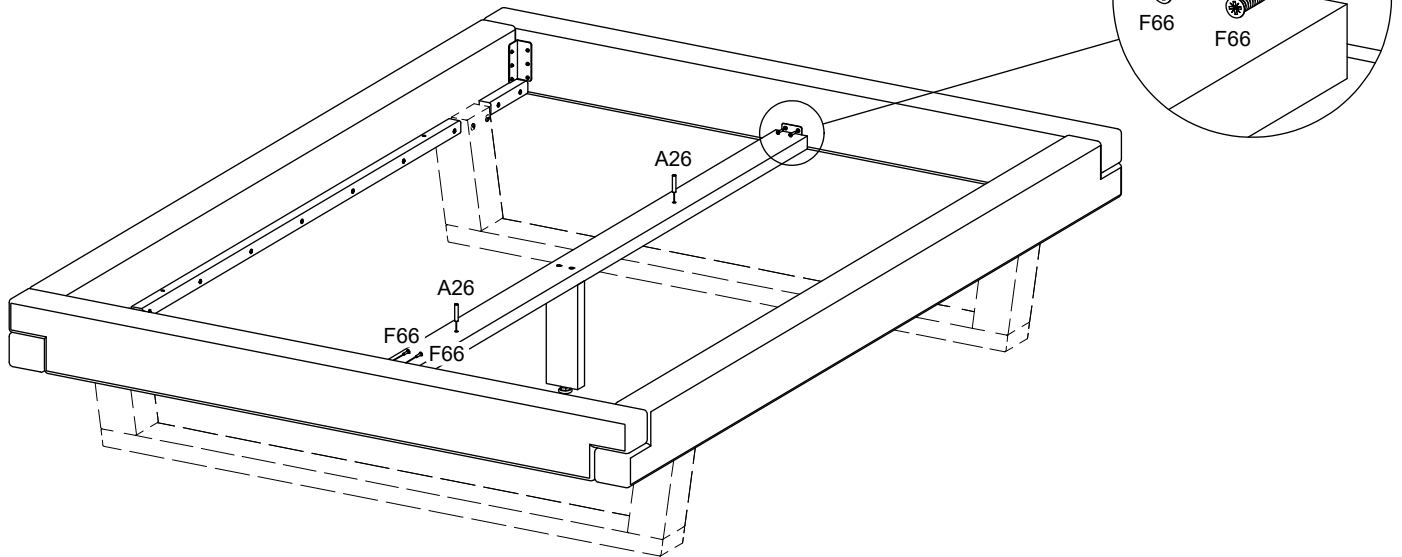
3

F66  4 x ø6,2 x 20mm	K11  2 x ø7 x 70mm	V04  2 x 50 x 50 x 40 x 2mm	Z04  1 x 4mm
---	---	--	---

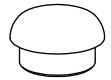


4

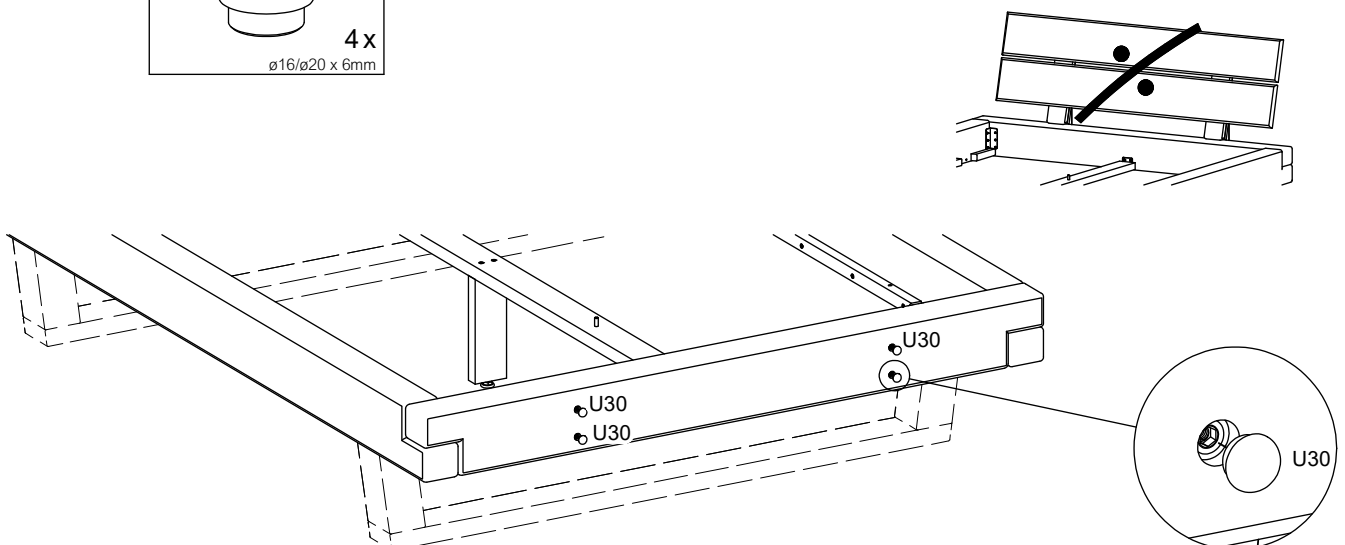
A26  2 x ø8 x 40mm	F66  4 x ø6,2 x 20mm	Z04  1 x 4mm
---	---	--

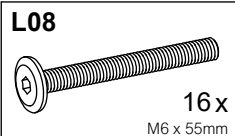


5

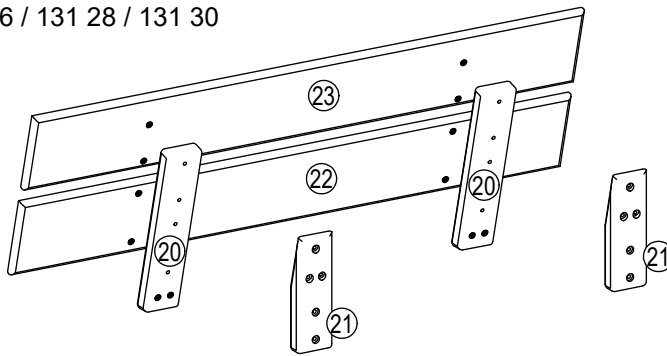
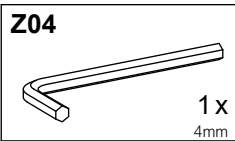
U30  4 x ø16/ø20 x 6mm

U30 only included / needed if NO headboard is included

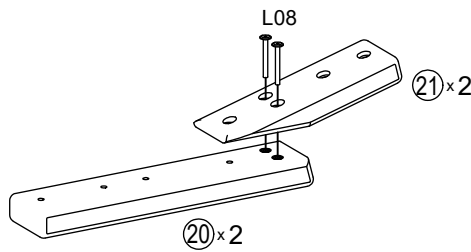
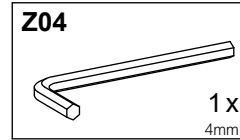
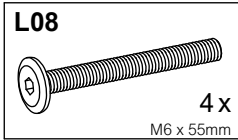




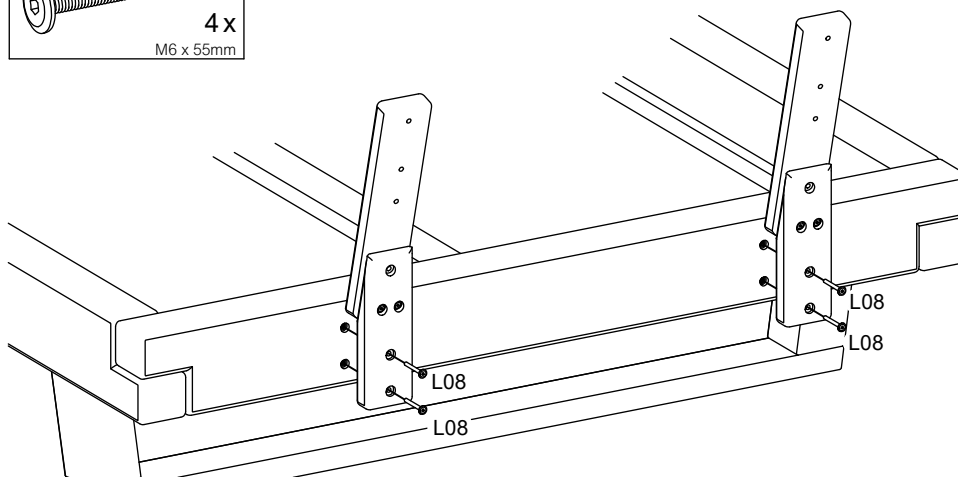
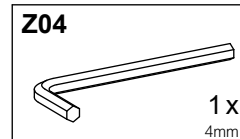
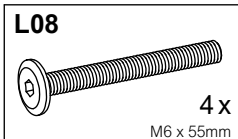
131 24 / 131 26 / 131 28 / 131 30



6



7



8

